

POWERBIRD® PRO GOLD EDITION

PowerBird® Pro Gold Edition – the strong one for high volumes and fast working sequences



No. 167 9664



No. 167 9665



No. 167 9666



No. 167 9667



TECHNICAL DATA

Setting force: 20,000 N
 Weight: 2.1 kg with battery (2.0 Ah)
 Drive: 18 V brushless DC motor (BLDC)
 Stroke: 25 mm

SCOPE OF DELIVERY

Nosepieces: 17/32, 17/36, 17/40 and 17/45
 Additional jaw pusher for smaller blind-rivet dimensions (Required nosepieces page 130)

WORKING RANGE

Blind rivets up to Ø 6.4 mm all materials and BULB-TITE®-blind rivets up to Ø 7.7 mm all materials (max. mandrel Ø 4.3 mm)

ADVANTAGES

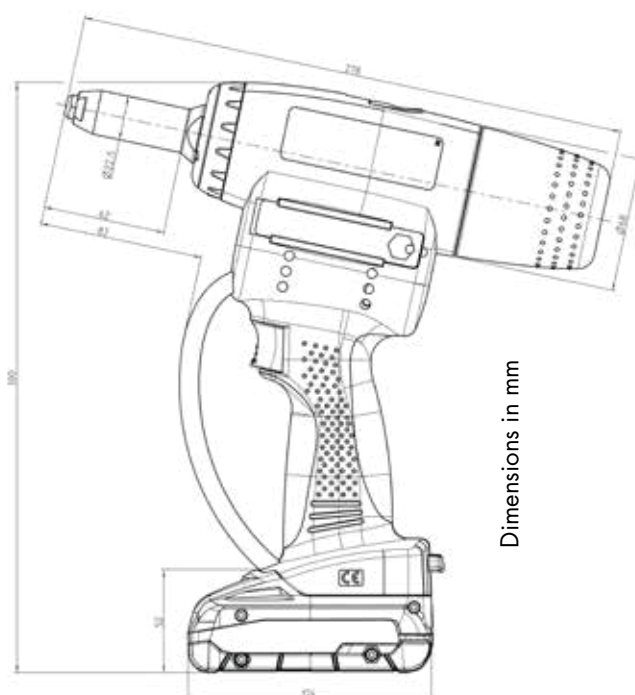
Even more powerful: Thanks to the brushless motor and the 20,000 N setting force the PowerBird® Pro Gold Edition is even more powerful and can even set G-Bulb and PolyGrip® blind rivets up to Ø 6.4 mm in any material. The optional Autoreverse function additionally shortens the pulling process, ensuring the PowerBird® Pro Gold Edition is immediately ready for operation. The stroke has been substantially increased to 25 mm for the purpose of setting particularly long rivets.

Even faster, virtually no wear: The motor of the PowerBird® Pro Gold Edition has an extremely long service life, is virtually non-wearing and and reliably guarantees the fastest setting frequencies.

Well-proven and ergonomically designed: Features the same ergonomic design as the TAURUS® series, already proven a thousand times over.



NOW IN THE L-BOXX!



Dimensions in mm

The battery-powered blind rivet setting tool with **20 kN** setting force and brushless motor

NOSEPIECE ASSIGNMENT Power per battery charge

D	Material	approx.pc / battery charge	Nosepiece	No.
4.8 and 5.0	Steel, Alu	1,800	17/32	143 4975
4.8 and 5.0	Stainless steel	1,600	17/36	143 4977
6.0	Alu	1,000	17/36	143 4977
6.0	Steel	650	17/40	143 4999
6.0	Stainless steel	600	17/40	143 4999
6.4	Alu, PG-Alu	600	17/45	143 4860
6.4	Steel	550	17/45	143 4860
6.4	Stainless steel	500	17/45	143 4860
8	Alu	550	17/45	143 4860

The name of the nosepiece (e.g. 17/32) can be found directly on the nosepiece.



BULB-TITE® BLIND RIVETS

4.0	Alu	1,300	17/26 BT*	143 4985
5.2	Alu	1,200	17/32 BT*	143 4986
6.3	Alu	800	17/42 BT*	143 4988
6.3	Steel	550	17/42 BT*	143 4988
6.3	Monel	600	17/42 BT*	143 4988
7.7	Alu	700	17/48 BT*	143 4989

* available as special accessory. Special design nosepieces are available on request. The nosepiece allocation data applies to DIN and GESIPA® blind rivets.

MEGA GRIP® BLIND RIVETS

4.8	Alu	1,000	17/31 MG*	143 4993
4.8	Steel	950	17/31 MG*	143 4993
4.8	Stainless steel	900	17/31 MG*	143 4993
6.4	Alu	950	17/41 MG*	143 4865
6.4	Steel	250	17/41 MG*	143 4865
6.4	Stainless steel	250	17/41 MG*	143 4865

88 Spare parts and special accessories PowerBird® Pro Gold Edition **page 88.**

130 Extended nosepieces, special lengths and special nosepieces on **page 130.**

! Make sure the correct jaw pusher is used as specified in the operating instructions!