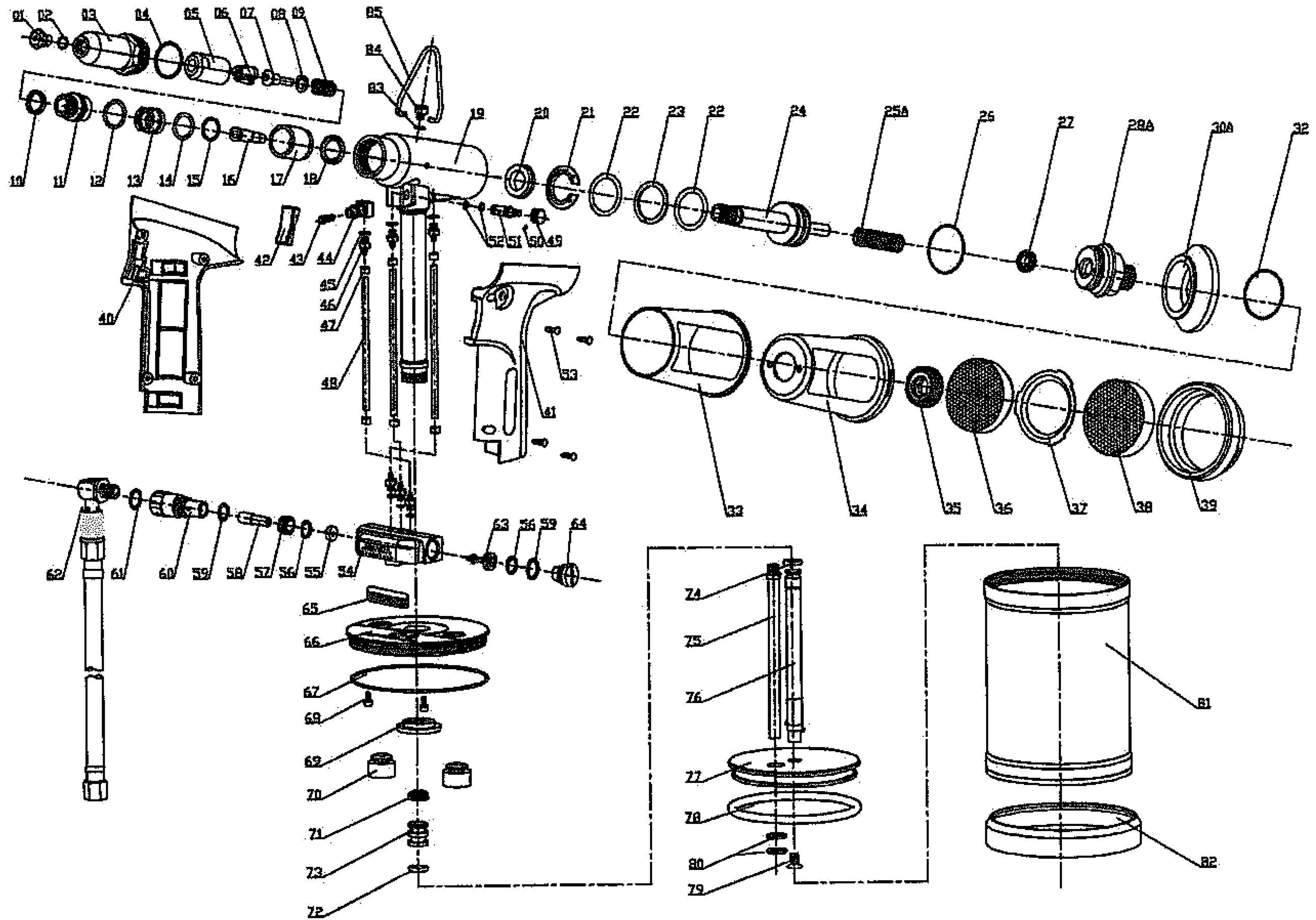


SR-3 VACUUM AIR RIVETER Exploded Drawing



PART NO.	DESCRIPTION	PART NO.	DESCRIPTION
SR-3-01	NOSEPIECE	SR-3-45	O-RING
SR-3-02	O-RING	SR-3-46	AIR INTERFACE
SR-3-03	NOSEPIECE CASING	SR-3-47	TIE RING
SR-3-04	O-RING	SR-3-48	AIR TUBE
SR-3-05	JAW HOUSING	SR-3-49	REGULATABLE BUTTON
SR-3-06	JAW (1set=3pcs)	SR-3-50	RETAINING SCREW
SR-3-07	PUSHER	SR-3-51	VACUUME VALVE
SR-3-08	WASHER	SR-3-52	O-RING
SR-3-09	JAW PUSHER SPRING	SR-3-53	TAPPING SCREW
SR-3-10	LOCK RING	SR-3-54	AIR VALVE BODY
SR-3-11	HOUSING	SR-3-55	AIR VALVE RING
SR-3-12	POLYURETHANE RING	SR-3-56	O-RING
SR-3-13	SET NUT	SR-3-57	AIR VALVE BASE
SR-3-14	POLYURETHANE RING	SR-3-58	SUBORDINATE TUBE
SR-3-15	O-RING	SR-3-59	O-RING
SR-3-16	VACUUM SLEEVE	SR-3-60	CONNECTING BASE
SR-3-17	SEALING PLASTIC HOUSING	SR-3-61	O-RING
SR-3-18	SEALING RING	SR-3-62	ON/OFF ASSEMBLY With plastic air inlet tub
SR-3-19	HEAD ASSEMBLY	SR-3-63	AIR VALVE ROD
SR-3-20	U-RING	SR-3-64	SCREW PLUG
SR-3-21	RETAINING NUT	SR-3-65	SILENCER
SR-3-22	O-RING	SR-3-66	CYLINDER COVER
SR-3-23	U-RING	SR-3-67	O-RING
SR-3-24	PRINCIPAL AXIS UNIT	SR-3-68	BOLT
SR-3-25A	RESTORE SPRING	SR-3-69	LOCK NUT
SR-3-26	O-RING	SR-3-70	BUFFER
SR-3-27	U-RING	SR-3-71	U-RING
SR-3-28A	END CAP	SR-3-72	O-RING
SR-3-30A	STEM COLLECTOR ADAPTOR	SR-3-73	AIR TUBE PISTON
SR-3-32	O-RING	SR-3-74	PISTON RING
SR-3-33	STEM COLLECTOR OUTER	SR-3-75	TRANSFER TUBE
SR-3-34	STEM COLLECTOR BODY	SR-3-76	PISTON ROD
SR-3-35	RETAINING NUT	SR-3-77	CYLINDER PISTON
SR-3-36	SILENCER	SR-3-78	O-RING
SR-3-37	STEM COLLECTOR END CAP	SR-3-79	BOLT
SR-3-38	SILENCER	SR-3-80	O-RING
SR-3-39	SILENCER CAP	SR-3-81	CYLINDER
SR-3-40	HANDLE (LEFT)	SR-3-82	BASE COVER
SR-3-41	HANDLE (RIGHT)	SR-3-83	BONDED SEAL
SR-3-42	TRIGGER	SR-3-84	SEAL SCREW
SR-3-43	TRIGGER VALVE	SR-3-85	HOOK
SR-3-44	ON/OFF BASE		