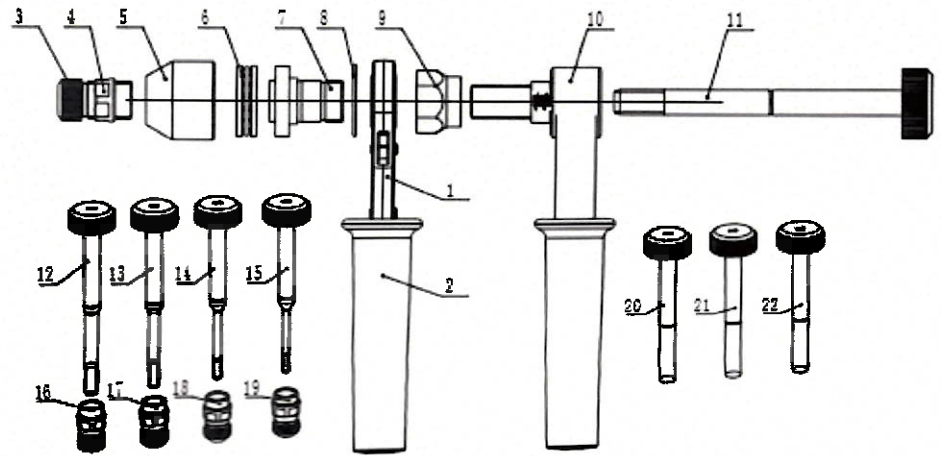


Parts Break Down



| Position# | Parts Descriptions | Parts No. | Quantity on Tool |
|-----------|--------------------------|-----------|------------------|
| 1 | assembly steering wrench | A00270-00 | 1 |
| 2 | grip | P01110-00 | 2 |
| 3 | anvil M12 | P00377-00 | 1 |
| 4 | locknut | P00311-00 | 5 |
| 5 | nose cover | P01111-00 | 1 |
| 6 | bearing | P01112-00 | 1 |
| 7 | bearing holder | P01113-00 | 1 |
| 8 | circlip | P01114-00 | 1 |
| 9 | nut | P01115-00 | 1 |
| 10 | assembly rear body | A00271-00 | 1 |
| 11 | mandrel puller M12 | A00272-00 | 1 |
| 12 | mandrel puller M10 | A00273-00 | 1 |
| 13 | mandrel puller M8 | A00274-00 | 1 |
| 14 | mandrel puller M6 | A00275-00 | 1 |
| 15 | mandrel puller M5 | A00276-00 | 1 |
| 16 | anvil M10 | P00378-00 | 1 |
| 17 | anvil M8 | P00306-00 | 1 |
| 18 | anvil M6 | P00307-00 | 1 |
| 19 | anvil M5 | P00308-00 | 1 |
| 20 | bolt puller M8 | A00277-00 | 1 |
| 21 | bolt puller M6 | A00278-00 | 1 |
| 22 | bolt puller M5 | A00279-00 | 1 |