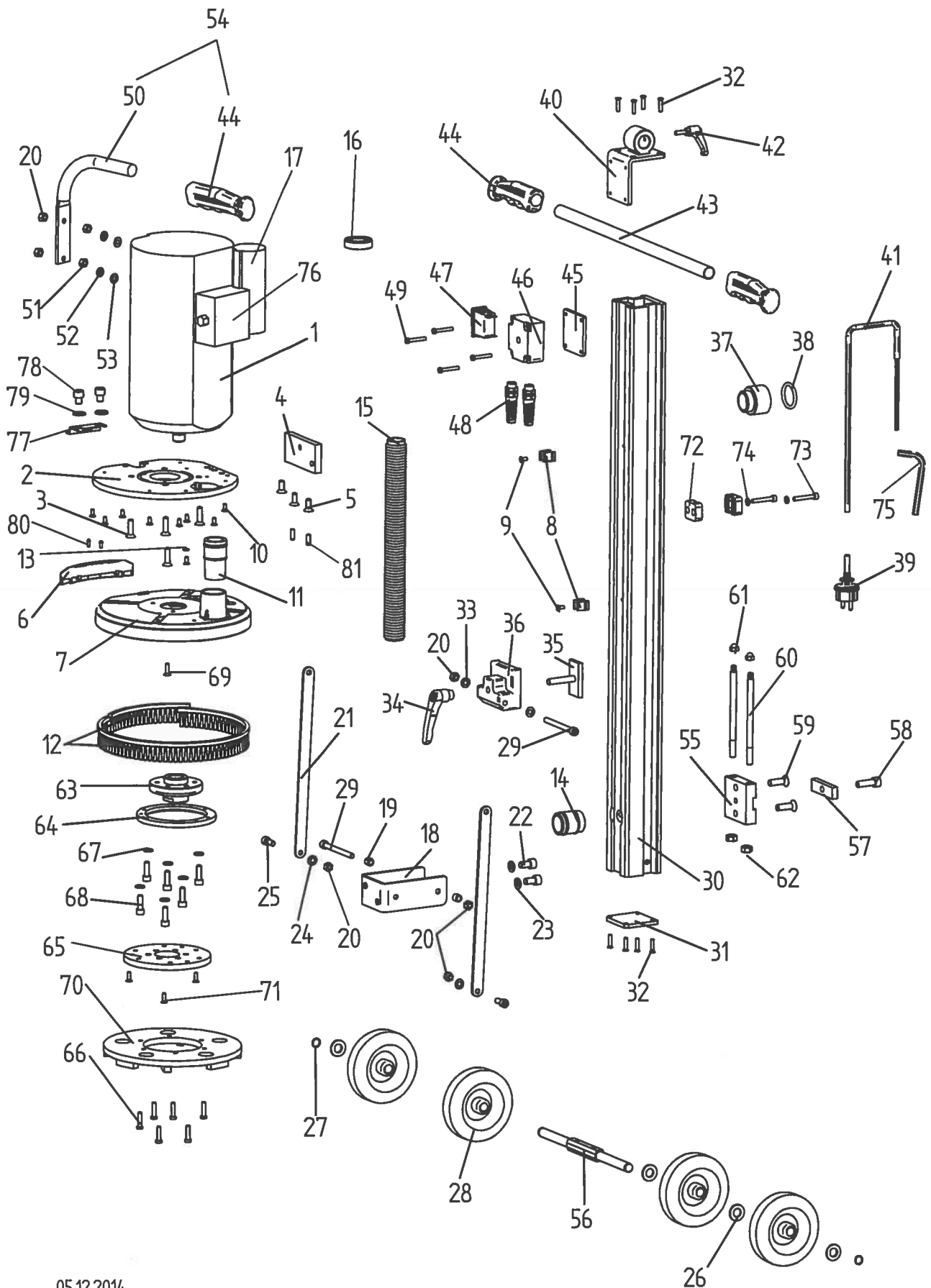


EBS 235.1 230V
Artikel-Nr.: 06344000



EBS 235.1 - 230 V

06344000

No.	Description	Order No.	Pcs
1	motor	80700162	1
2	mounting plate	76343640	1
3	countersunk screw M8x30	80201459	4
4	mounting plate	76343650	1
5	countersunk screw M8x20	80201460	3
6	housing cover	796UN324	1
7	suction hood	76343575	1
8	clamp	80600178	2
9	screw M5x12	80201230	2
10	countersunk screw M5x12	80201226	9
11	suction nozzle	76343573	1
12	brush rim	76343577	1
13	washer A5,3	80201374	1
14	suction nozzle	76343973	1
15	suction hose	76343660	1
16	ball bearing 6205-2NSE	76344124	2
17	capacitor 50 µF	80500041	1
18	u-profile	76343760	1
19	spacing bush	40600007	2
20	hexagonal nut M8	80201221	6
21	supporting rod	76343765	2
22	screw M10x18	80201453	2
23	lock washer 10	80201311	2
24	washer 8,4 ZN	80201377	2
25	screw M8x20	80201147	2
26	washer 15	80201352	6
27	locking ring 15/1	80201322	2
28	solid rubber wheel	40600005	4
29	screw M8x90	80201255	2
30	column	76343750	1
31	column cover	796UN920	1
32	thread sleeve M5x20	80201168	8
33	washer 8,4 ZN	80201377	2
34	clamping lever M10	85000188	1
35	plate w/ threaded spindle M10	796UN930	1
36	supporting holder	796UN918	1
37	adaptor	76344975	1
38	o-ring 35x4 NBR 70	83000047	1
39	connecting cable	80600404	1
40	connecting plate	76343780	1
41	intermediate cable	76343345	1

No.	Description	Order No.	Pcs
42	clamping lever M6x20	85000233	1
43	handle tube	76343787	1
44	rubber handle	83000006	3
45	isolation plate	796UN320	1
46	switch box	76343630	1
47	switch	80600105	1
48	cable guard	80600170	2
49	screw M5x35	80201135	4
50	tube handle	76343591	1
51	hexagonal nut M8	80201006	2
52	lock washer A8	80201309	2
53	washer 8,4 ZN	80201377	2
54	tube handle	7634359U	1
55	plate	76343810	1
56	wheel axle	796UN321	1
57	clamping plate	76343820	1
58	screw M10x40	80201113	1
59	countersunk screw M10x30	80201463	2
60	guide bar	76343815	2
61	cape nut M8	80201028	2
62	hexagonal nut M10	80201033	2
63	grinding disc adapter	76343925	1
64	ring	76343923	1
65	rubber plate	83000303	1
66	screw M6x20	76344671	6
67	washer 8,4 ZN	80201377	6
68	screw M8x25	80201145	6
69	screw M6x20 links	80201461	1
70	grinding disc black	37117	1
71	countersunk screw M5x16	80201184	3
72	tube clamp 8	85000196	2
73	screw M6x40	80201186	2
74	disc 6,4	80201375	2
75	spanner SW 8	80430044	1
76	terminal box	76344123	1
77	angle	796UN323	1
78	screw M10x12	80201474	2
79	disc 10	80201380	2
80	lens head screw M4x10	80201116	2
81	cylinder pin 6m6x18	80200563	2