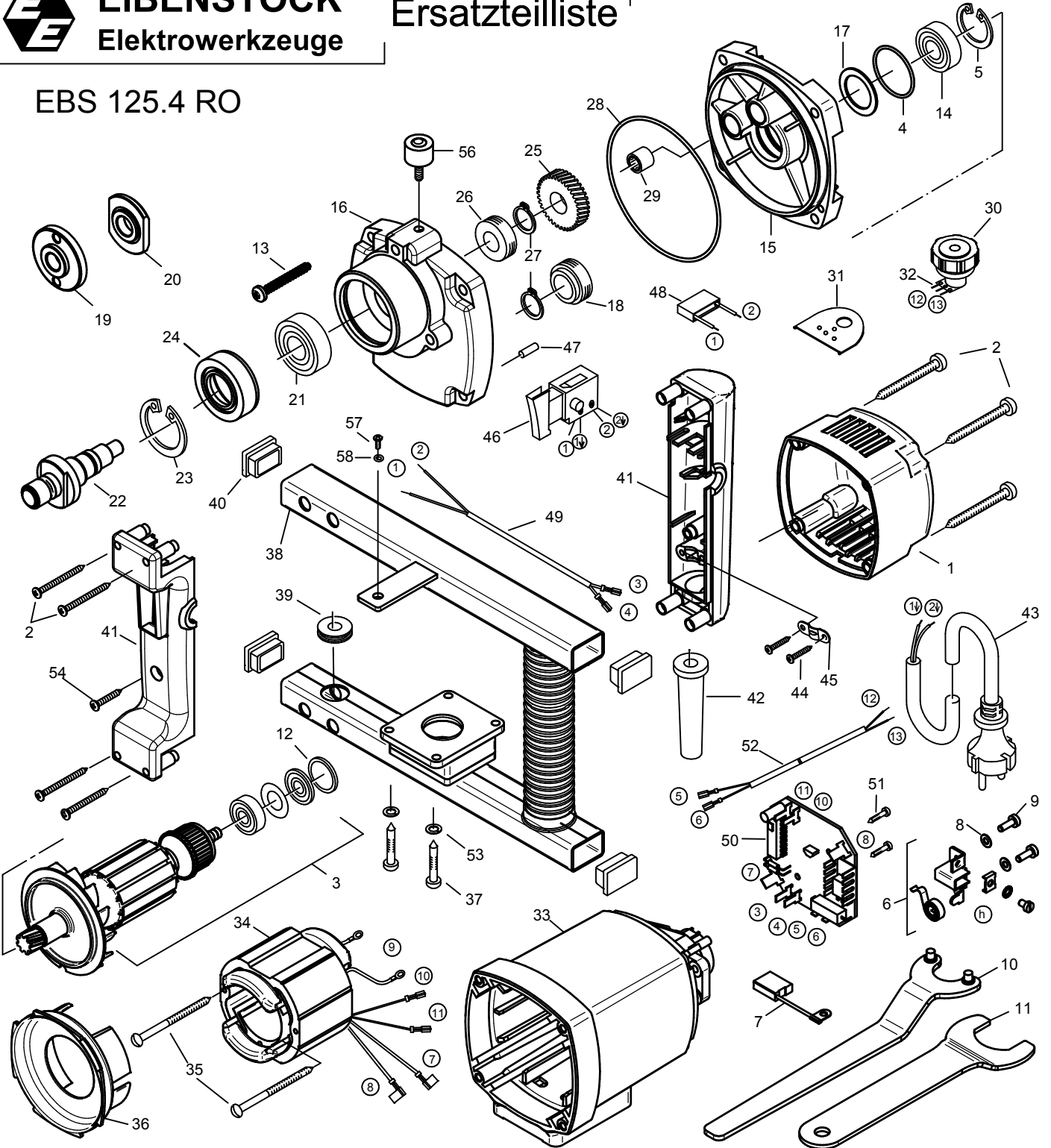




EBS 125.4 RO



EBS 125.4 RO - 230 V

06323/06325

No.	Description	Order No.	Pcs
1	cap	80900093	1
2	self tapping screw HC 4,8x45	80201267	8
3	rotor complete	76322100	1
4	o-ring 28x1,5	83000191	1
5	locking ring 28/1,2	80201333	1
6	brush holder	80201195	2
7	carbon brush 6,3x12,5x18	80700034	2
8	lock washer B4	80201385	4
9	self tapping screw CM4x12	80201180	4
10	face spanner	80430042	1
11	spanner SW32	76301927	1
12	o-ring 22x2,5	83000036	1
13	pt-screw 50x35	80201456	4
14	grooved ball bearing 6902 2RS	80410089	1
15	end shield of gearing green	76301610	1
16	gearbox housing	76322400	1
17	fitting washer 20x1	80200510	1
18	worm seal	76311125	1
19	flange nut	76301405	1
20	flange	76301410	1
21	grooved ball bearing 6003 2RS	80410047	1
22	work spindle	76305420	1
23	locking ring 40/1,75	80201339	1
24	bush	76305425	1
25	spindle wheel 22 Z.	76311430	1
26	worm seal	76301126	1
27	locking ring 14/1	80201318	2
28	o-ring 85x1,78	83000000	1
29	needle sleeve HK 0810	80420110	1

No.	Description	Order No.	Pcs
30	adjusting wheel green	80900289	1
31	holder	80901004	1
32	potentiometer 100 K Ohm	80500020	1
33	motor housing	80900092	1
34	stator complete	7132B150	1
35	self tapping screw C 3,9x60	80201266	2
36	air guiding ring	80900286	1
37	plastic screw Torx 5x20	80201277	4
38	bow handle black	80200113	1
39	cable grommet HV 1305	83000051	1
40	cover cap	80900000	4
41	pair of handle halves	80900099	1
42	cable grommet	83000004	1
43	connecting cable 5m	80600245	1
44	self tapping screw HC 4,2x13	80201270	2
45	wire locking flange	85000020	1
46	switch	80600143	1
47	notched pin plug 4x12	80200582	1
48	anti parasite condenser	80500010	1
49	interconnecting wire	80600078	1
50	PCB / circuit board	80601209	1
51	self tapping screw HC 2,9x13	80201252	2
52	control wire	80600079	1
53	lock washer 5	80201302	4
54	self tapping screw HC 4,8x22	80201280	1
55			
56	rubber-metal buffer M6	83000084	1
57	lens head screw M6x8	80201212	1
58	disc 6,4	80201375	1

EBS 125.4 RO - 110 V

0632F000

3	rotor complete	76328100	1
34	stator complete	76319150	1
43	connecting cable	73B11262	1

46	switch	80600507	1
50	PCB / circuit board	80601145	1