



# EIBENSTOCK

## Elektrowerkzeuge

<b>D</b>	Originalbetriebsanleitung.....	3 - 13
<b>GB</b>	Original Instructions.....	14 - 24
<b>F</b>	Notice originale.....	25 - 35
<b>NL</b>	Oorspronkelijke gebruiksaanwijzing.....	36 - 46
<b>DK</b>	Original brugsanvisning.....	47 - 57
<b>PL</b>	Dokumentacja techniczno-ruchowa.....	58 - 68



**EBS 125.4 O**

**EBS 125.4 RO**



## Important Safety Instructions

Important instructions and warning notices are allegorized on the machine by means of symbols:



**Before you start working, read the operating instructions of the machine.**



**Work concentrated and carefully. Keep your work-place clean and avoid dangerous situations.**



**In order to protect the user, take precautions.**

During work you should wear ear protectors, goggles, dust mask, protective gloves and sturdy work clothes!



**Use ear protection**



**Wear safety goggles**



**Wear a dust mask**



**Wear protective gloves**

## Warning notices



**Warning of general danger**



**Warning of dangerous voltage**



**Warning of hot surface**



**Danger of being ripped or cut**

## Technical Data

### Concrete Grinder      EBS 125.4 O/ EBS 125.4 RO

	EBS 125.4 O		EBS 125.4 RO	
Power input: (W):	1500			
Rated voltage (V)	110	230	110	230
Rated current (A):	14	6	14	6
Frequency: (Hz):	50-60			
Rated speed (rpm):	10000		6000-10000	
Max. disc diameter: (mm):	125			
Spindle connection:	M 14			
Weight (kg):	4.9			
Protection class:	II			
Degree of protection:	IP 20			
Interference suppression:	EN 55014 and 61000			
Order no.:	06327	06324	0632F	06325

#### Available special accessories:

Item	Order no.
<b>Diamond Grinding Wheel</b>	
Type	Colour
Concrete standard	gold, sand
Concrete premium	gold, sand
Screed	yellow
Rapid K	blue
Brush rim (2-part)	3722A
Floor guiding device	37212
Industrial Vacuum Cleaner DSS 25 A	09915
Industrial Vacuum Cleaner DSS 50 A	09916
Industrial Vacuum Cleaner DSS 35 M iP	09919

For further information about our products and our wide range of accessories please see: [www.eibenstock.com](http://www.eibenstock.com)

## Content of Delivery

Concrete grinder with diamond grinding wheel (concrete), tool kit and operating instructions in a metal case

## Application for Indented Purpose

The concrete grinder is indented for professional use.

With an appropriate grinding wheel, the tool may be used for smoothing rough concrete, removing mould seams, residual mud, joint fillers and tile adhesives.

**Only use grinding wheels recommended by the manufacturer.**

**These have a small weight and a high concentricity. Using other grinding wheels can cause an overload of the machine or damage of the bearings and danger to the user.**

## Safety Instructions



**Safe work with the machine is only possible if you read this operating instruction completely and follow the instructions contained strictly.**

**Additionally, the general safety instructions of the leaflet supplied with the tool must be observed. Prior to the first use, the user should absolve a practical training.**



If the mains cable gets damaged or cut during the use, do not touch it, but instantly pull the plug out of the socket. Never use the tool with damaged mains cable.



The tool must neither be wet nor used in humid environment.

- Do not use the tool in an environment with danger of explosion.
- Do not drill into asbestos-containing materials.
- Modifications of the tool are prohibited.
- Never use the machine without dust guard.  
Use machine with partly removed dust guard in corners only.  
**For other applications the dust guard must always be closed.**
- Always check the tool, cable and plug before use and plug before use.  
Have damages only repaired by specialists.  
Insert the plug into the socket only when the tool switch is off.
- When you work outside, the machine has to be used with a fault-current circuit breaker with max. 30 mA.
- The machine should only work under supervision of somebody.  
Plug and switch the machine off if it is not under supervision, in case of putting up and stripping down the machine, in case of voltage drop or when fixing or mounting an accessory.
- Switch the machine off if it stops for whatever reason. You avoid that it starts suddenly and not under supervision.

- Don't use the machine if a part of the housing is damaged or in case of damages on the switch, the cable or plug.
- Pay attention that the speed indicated on the grinding wheel meets or is higher than the max. speed indicated on the machine.
- Grinding wheels have to be stored and used carefully according to the instructions of the producer.
- Check the accessories before use. Do not use any products which are broken, cracked or damaged in another way.
- Before use, make sure that the tool is correctly fixed and fastened. Let it run idle for about 30 seconds in a safe position. If considerable vibrations occur or if other defects are recognised, switch off immediately.
- Always lead the mains and extension cable as well as the extraction hose to the back away from the machine.
- Power tools have to be inspected by a specialist in regular intervals.
- Never carry the machine at its cable.
- Do not touch rotating parts.
- Persons under 16 years of age are not allowed to use the tool.
- **During use, the operator and other persons standing nearby have to wear suitable ear protectors, a dust mask and protection goggles.**



- Make sure that persons in the work space are not endangered by particles flying around.
- Keep the handles dry, clean and free of oil and grease.
- **During operation, always hold the tool with both hands.**
- **Attention! The tool still runs for a little while after the machine was switched off.**

**For further safety instructions, please refer to the enclosure!**



### Electrical Connection

Before starting the machine check the correspondence between voltage and frequency according to the data mentioned on the identification plate. Voltage differences from + 6 % and – 10 % are allowed.

The grinder is made in protection class II.

Only use extension cables with a sufficient cross-section. A cross-section which is too small could cause a considerable drop in performance and an overheating of machine and cable.

The tool includes a start-up speed limiter to prevent fast expulsion fuses from unintended responding.

## Switching on and off

### Short-Time Operation

Switching-on: press the on/off switch

Switching-off: release the on/off switch

### Permanent Operation

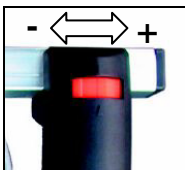
Switching-on: press the on/off switch and, keeping it pressed, engage the lock-on button

Switching-off: press the on/off switch and release it again

### **Attention!**



**In case of every stop of the machine or a power cut, the lock-on button has to be released immediately by pressing the ON/OFF switch. So you can avoid an unintentional restart of the machine (physical hazard).**



The **EBS 125.4 RO** is equipped with an adjusting wheel in order to allow a stepless variable control of speed from 6000 to 10000 rpm. The adjusting wheel is on the top side of the handle opposite of the on/off switch.

A permanent use with reduced speed can cause an overload because the motor then gets less cooling air and therefore the machine will be overheated much faster. A thermal switch-off can be released!

## Changing the Diamond Grinding Wheel

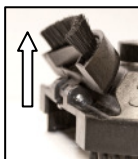


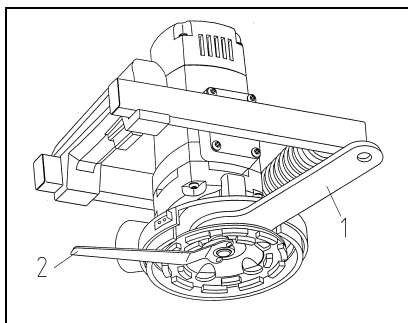
### **Attention!**

**The grinding wheel might heat up enormously during operation. You could burn your hands or get cut or ripped by the segments. Therefore, always use protective gloves when changing the grinding wheel.**

**Before any work on the tool, disconnect the plug from the mains!**

First of all, the detachable hood segment has to be opened.





Now you can hold up the driving disc between gearbox and grinding wheel by using a jaw wrench 32 (1). Use the face spanner (2) to unscrew the driving nut. Then remove the mounted grinding wheel respectively mount the new one. The assembly works the other way round!

Let the machine run for a short period of time and in a safe position. If the machine does not run easily, stop working immediately.

**Use only original accessory!**

### Application of Grinding Wheels

Type	Max. Rated Speed	Colour	Application
<b>Diamond Grinding Wheel</b>			
<b>Concrete</b>	10,000 rpm	gold, sand	for finishing and facing concrete, brick, lime sandstone, basalt, sandstone
<b>Screed</b>	10,000 rpm	yellow	for finishing fresh and green concrete, screed, lime mortar plaster, mortar, plaster, soft limestone
<b>Rapid K</b>	10,000 rpm	blue	for removing epoxy resin and two-component coatings

### Dust Extraction

Dust which occurs during your work is hazardous to health. That is why the **EBS 125.4 O/RO** must be used with a vacuum cleaner, and a dust mask has to be worn. The suitable Wet/Dry Vacuum Cleaner DSS 25 A / DSS 50 A / DSS 35 MiP is available as accessory. It can directly be attached to the connection on the dust hood.

#### Changing the brush rim

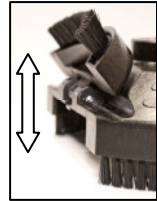
If the length of the brushes is – due to wear - smaller than 5 mm (extreme formation of dust during grinding), the brush rim has to be replaced completely.

## Instruction for Use

Switch the machine on and put it carefully on the surface you want to work on. Hold the tool with both hands and work with circular or linear movements.

For best working results: Don't put too much pressure on the surface you want to work on.

For grinding works right into edges of the wall one segment of the dust guard can be opened. This allows grinding on surfaces which are usually hard to reach.



### Attention!

All other grinding works have to be done with the complete dust guard.

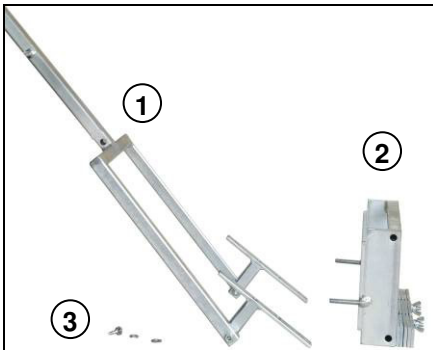
## Function and Assembly of the Floor Guiding Device



### Attention!

Before any work on the tool, disconnect the plug from the mains!

For grinding works on larger floors, a floor guiding device is available as accessory. It allows a more comfortable handling of the concrete grinder.



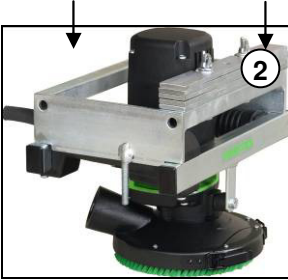
- ① device with holder
- ② top frame with weights
- ③ disc, spring ring, wing nut



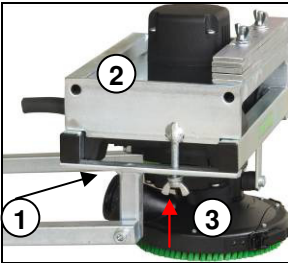
## Assembly

Lock the ON/OFF switch of the concrete grinder.

On version **EBS 125.4 RO** set the speed to maximum.



Put the top frame with the weights (2) on the frame handle of the machine.



Then put the device with the holder (1) under the frame handle and fix it with disc, spring ring and wing nut (3) on the top frame (2).



Wind the line cord of the tool on the holder meant for this purpose. **Make sure that the switch of the floor guiding device is not pressed or locked.** Plug the grinder in the socket of the floor guiding device. Lead the hose of the vacuum cleaner above the floor guiding device, connect it with the grinder. The clamp will avoid a slipping of the hose.

### **Overload Protection**

In order to protect the operator, motor and the tool, the concrete grinders are equipped with a mechanical and thermal overload protection.

Electronic: In case of overload caused by a grinding pressure which is too high, the electronics react by decreasing the speed of the machine. You can continue working when the grinding pressure has been reduced.

If you don't relieve the pressure on the machine or put furthermore too much pressure on the tool it reacts by switching OFF the machine.

After automatic switch-OFF of the machine you can continue working after switching OFF and ON the power tool again.

**Thermal:** In case of permanent overload, a thermal sensor protects the motor against destruction. In this case, the tool switches off automatically and can only be restarted after a certain cooling period (approx. 2 minutes). Actuate the ON/OFF switch! The cooling period depends on the heating of the motor winding and the ambient temperature.

## Care and Maintenance



**Before the beginning of the maintenance- or repair works you have to disconnect the plug from the mains.**

Repairs may be executed only by appropriately qualified and experienced personnel.

After every repair the machine has to be inspected by an electric specialist. Due to its design, the power tool needs a minimum of care and maintenance. The following works have to be carried out or rather the component parts have to be inspected:

- Always keep the power tool and the ventilation slots clean.
- During work, please pay attention that no particles get inside the machine.
- In case of failure, a repair has to be carried out by an authorised service workshop.

## Environmental Protection



**Raw Material Recycling Instead of Waste Disposal**

To avoid damages on transportation, the power tool has to be delivered in a sturdy packing. Packaging as well as unit and accessories are made of recyclable materials and can be disposed accordingly.

The tool's plastic components are marked according to their material, which makes it possible to remove environmental friendly and differentiated because of available collection facilities.

## Only for EU countries

Do not dispose of electric tools together with household waste material!



In observance of the European Directive 2012/19/EU on waste electrical and electronic equipment and its implementation in accordance with national law, electric tools that have reached the end of their life must be collected separately and returned to an environmentally compatible recycling facility.

### Noise Emission/ Vibration

The indication of noise emission is measured according to DIN 45 635, part 21. The level of acoustic pressure on the work place could exceed 85 dB (A); in this case protection measures must be taken.



### Wear ear protectors!

The typical hand-arm vibration is below  $2.5 \text{ m/s}^2$ .  
Measured values determined according to EN 60 745.

The declared vibration emission level represents the main applications of the tool. However if the tool is used for different applications, with different accessories or poorly maintained, the vibration emission may differ. This may significantly increase the exposure level over the total working period

An estimation of the level of exposure to vibration should also take into account the times when the tool is switched off or when it is running but not actually doing the job. This may significantly reduce the exposure level over the total working period.

Identify additional safety measures to protect the operator from the effects of vibration such as: maintain the tool and the accessories, keep the hands warm, organisation of work patterns.

### Dust protection

Dust from material such as paint containing lead, some wood species, minerals and metal may be harmful. Contact with or inhalation of the dust may cause allergic reactions and/or respiratory diseases to the operator or bystanders.

Certain kinds of dust are classified as carcinogenic such as oak and beech dust especially in conjunction with additives for wood conditioning

(chromate, wood preservative). Material containing asbestos must only be treated by specialists.

- Where the use of a dust extraction device is possible it shall be used.
- To achieve a high level of dust collection, use industrial vacuum cleaner DSS 25/35/50 for wood and/or minerals together with this tool.
- The work place must be well ventilated.
- The use of a dust mask of filter class P2 is recommended.

### **Warranty**

According to our general terms of delivery for business dealings, suppliers have to provide to companies a warranty period of 12 months for redhibitory defects (to be documented by invoice or delivery note).

Damages due to natural wear, oversteering or improper handling are excluded from this warranty.

Damages due to material defects or production faults shall be eliminated free of charge by either repair or replacement.

Complaints will be accepted only if the tool is returned in non-dismantled condition to the manufacturer or an authorized Eibenstock service centre.

### **CE Declaration of Conformity**

We declare under our sole responsibility that the product described under "Technical Data" is in conformity with the following standards or standardization documents:

EN 60 745

according to the provisions of the directives 2011/65/EU, 2004/108/EG, 2006/42/EG

Technical file (2006/42/EC) at:

Elektrowerkzeuge GmbH Eibenstock  
Auersbergstraße 10  
D – 08309 Eibenstock



Lothar Lässig  
General Manager



Frank Markert  
Head of Engineering

28.04.2014



## Wichtige Hinweise

Wichtige Anweisungen und Warnhinweise sind mittels Symbolen auf der Maschine dargestellt:



**Vor Inbetriebnahme der Maschine  
Bedienungsanleitung lesen.**



**Arbeiten Sie konzentriert und lassen Sie Sorgfalt  
walten.  
Halten Sie Ihren Arbeitsplatz sauber und  
vermeiden Sie Gefahrensituationen.**



**Vorkehrungen zum Schutz des Bedieners  
treffen.**

Beim Arbeiten sollten Sie Schutzbrille, Gehörschutz, Staubschutzmaske, Schutzhandschuhe und feste Arbeitskleidung tragen!



**Gehörschutz tragen**



**Schutzbrille tragen**



**Staubschutzmaske benutzen**



**Schutzhandschuhe tragen**

## Warnhinweise



**Warnung vor allgemeiner Gefahr**



**Warnung vor gefährlicher elektrischer Spannung**



**Warnung vor heißer Oberfläche**



**Reiß- bzw. Schneidgefahr**

## Technische Daten

### Betonschleifer EBS 125.4 O, EBS 125.4 RO

	EBS 125.4 O		EBS 125.4 RO	
Leistungsaufnahme (W):	1500			
Nennspannung (V):	110	230	110	230
Nennstrom (A):	14	6	14	6
Frequenz (Hz):	50-60			
Nennzahl (min <sup>-1</sup> ):	10000		6000-10000	
Max. Scheibendurchmesser (mm):	125			
Werkzeugaufnahme:	M 14			
Gewicht (kg):	4,9			
Schutzklasse:	II			
Schutzgrad:	IP 20			
Funkentstörung:	EN 55014 und 61000			
Bestellnr.:	06327	06324	0632F	06325

### Lieferbares Sonderzubehör:

Bezeichnung		Bestellnummer
<b>Diamantschleifteller</b>		
Typ	Farbe	
Beton standard	goldbraun	37114
Beton premium	goldbraun	37102
Estrich	gelb	37103
Rapid K	blau	37110
Ersatz -Bürstenkranz zweiteilig		3722A
Bodenführungssystem		37212
Industriestaubsauger DSS 25 A		09915
Industriestaubsauger DSS 50 A		09916
Industriestaubsauger DSS 35 M iP		09919

Weitere Informationen zu unseren Produkten sowie zum umfangreichen Zubehörsortiment finden Sie unter: **[www.eibenstock.com](http://www.eibenstock.com)**

## Lieferumfang

Betonschleifer mit Diamantschleifteller, Werkzeugsatz und Bedienungsanleitung im Metallkoffer.

## Bestimmungsgemäßer Gebrauch

Der Betonschleifer ist für den professionellen Einsatz bestimmt. Mit dem für die entsprechende Anwendung geeigneten Schleifteller dient er zum Glätten von Unebenheiten auf Betonflächen, Entfernen von Schalungsnähten, Schlämmhäuten sowie von Fugenresten bei der Fliesenerneuerung.

**Verwenden Sie nur vom Hersteller empfohlene Schleifteller. Diese haben ein geringes Gewicht und eine hohe Rundlaufgenauigkeit. Der Einsatz anderer Schleifteller kann zur Überlastung des Gerätes bzw. zur Beschädigung der Lager und Gefährdung des Bedieners sowie zum Erlöschen des Garantieanspruches führen.**

## Sicherheitshinweise



**Gefahrloses Arbeiten mit dem Gerät ist nur möglich, wenn Sie die Bedienungsanleitung vollständig lesen und die darin enthaltenen Anweisungen strikt befolgen. Zusätzlich müssen die allgemeinen Sicherheitshinweise im beigelegten Heft befolgt werden. Lassen Sie sich vor dem ersten Gebrauch praktisch einweisen.**



Wird bei der Arbeit die Anschlussleitung beschädigt oder durchtrennt, diese nicht berühren, sondern sofort den Netzstecker ziehen. Gerät niemals mit beschädigter Anschlussleitung betreiben.



Das Gerät darf nicht feucht sein und nicht in feuchter Umgebung betrieben werden.

- Arbeiten Sie nicht in der Nähe von leicht entflammaren oder explosiven Stoffen.
- Asbesthaltige Materialien dürfen nicht bearbeitet werden.
- Manipulationen am Gerät sind nicht erlaubt.
- Gerät nie ohne montierte Schutzhaube betreiben.
- Geöffnete Schutzhaube nur an Wandkanten verwenden.  
**Bei Flächenschliff ist die Schutzhaube immer zu schließen.**
- Vor jeder Benutzung Gerät, Kabel und Stecker überprüfen. Lassen Sie Schäden nur von einem Fachmann beseitigen. Stecker nur bei ausgeschalteter Maschine in die Steckdose stecken.
- Betreiben Sie das Gerät im Freien über einen Fehlerstrom-Schutzschalter mit max. 30 mA.
- Ziehen Sie den Netzstecker, und überprüfen Sie, dass der Schalter ausgeschaltet ist, wenn die Maschine unbeaufsichtigt bleibt, z.B. bei Auf- und Abbauarbeiten, bei Spannungsabfall, beim Einsetzen bzw. bei der Montage eines Zubehörteiles.



- Schalten Sie die Maschine ab, wenn Sie aus irgendeinem Grund stehen bleibt. Sie vermeiden damit das plötzliche Anlaufen im unbeaufsichtigten Zustand.
- Benutzen Sie das Gerät nicht, wenn ein Teil des Gehäuses defekt ist, bzw. bei Beschädigungen an Schalter, Zuleitung oder Stecker.
- Überprüfen Sie, dass die auf der Scheibe angegebene Drehzahl gleich oder größer als die Drehzahl der Maschine ist.
- Schleifteller müssen sorgsam nach Anweisung des Herstellers aufbewahrt und gehandhabt werden.
- Kontrollieren Sie das Zubehör vor seiner Verwendung; keine abgebrochenen, gesprungenen oder anderweitig beschädigten Erzeugnisse verwenden.
- Sorgen Sie dafür, dass das Werkzeug vor Gebrauch richtig angebracht und befestigt wird, und lassen Sie das Werkzeug im Leerlauf ca. 30 Sekunden in einer sicheren Lage laufen. Sofort ausschalten, wenn beträchtliche Schwingungen auftreten oder wenn andere Mängel festgestellt werden.
- Führen Sie beim Arbeiten das Netz-, das Verlängerungskabel und den Absaugschlauch immer nach hinten vom Gerät weg.
- Elektrowerkzeuge müssen in regelmäßigen Abständen einer Prüfung durch den Fachmann unterzogen werden.
- Tragen Sie das Gerät niemals am Kabel.
- Nicht in rotierende Teile fassen.
- Personen unter 16 Jahren dürfen das Gerät nicht benutzen.



- **Tragen Sie beim Arbeiten mit dieser Maschine einen Gehör- und Staubschutz, Schutzbrille sowie Schutzhandschuhe.**
- Stellen Sie sicher, dass Personen im Arbeitsbereich nicht durch herumfliegende Partikel gefährdet werden.
- Halten Sie die Handgriffe trocken, sauber und frei von Öl und Fett.
- **Während des Betriebes Gerät immer mit beiden Händen halten.**
- **Vorsicht! Das Werkzeug läuft nach, nachdem die Maschine abgeschaltet wurde.**

**Weitere Sicherheitshinweise entnehmen Sie bitte der Anlage!**



### Elektrischer Anschluss

Prüfen Sie vor Inbetriebnahme die Übereinstimmung der Netzspannung und -frequenz mit den auf dem Typenschild angegebenen Daten. Spannungsabweichungen von + 6 % und – 10 % sind zulässig. Das Gerät ist in Schutzklasse II ausgeführt. Verwenden Sie nur Verlängerungskabel mit ausreichendem Querschnitt. Ein zu schwacher Querschnitt kann zu übermäßigem Leistungsverlust und zur Überhitzung von Maschine und Kabel führen

Die Maschine verfügt über eine Anlaufstrombegrenzung die verhindert, dass flinke Sicherungsautomaten unbeabsichtigt auslösen.

## Ein-/ Ausschalten

### Momentschaltung

Einschalten: Ein-Aus-Schalter drücken

Ausschalten: Ein-Aus-Schalter loslassen

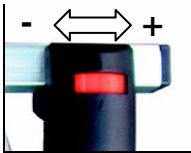
### Dauerschaltung

Einschalten: Ein-Aus-Schalter drücken und in gedrücktem Zustand mit Feststellknopf arretieren

Ausschalten: Ein-Aus-Schalter erneut drücken und wieder loslassen



**Achtung!**  
**Bei jedem maschinell bedingten Stillstand oder einer Stromunterbrechung ist der Feststeller sofort durch Drücken des Ein-Aus-Schalters zu lösen, um ein unbeabsichtigtes Wiederanlaufen der Maschine zu verhindern (Verletzungsgefahr).**



Der **EBS 125.4 RO** verfügt über ein Stellrad mit dem die Drehzahl zwischen 6000 und 10000  $\text{min}^{-1}$  stufenlos geregelt werden kann. Dieses befindet sich auf der Oberseite des Griffes gegenüber dem Ein-/ Ausschalter.

Ein Dauerbetrieb mit verminderter Drehzahl führt zur Überlastung, da dem Motor dann weniger Kühlluft zur Verfügung steht und dieser dadurch deutlich schneller überhitzt. Es kann eine thermische Abschaltung erfolgen!

## Werkzeugwechsel



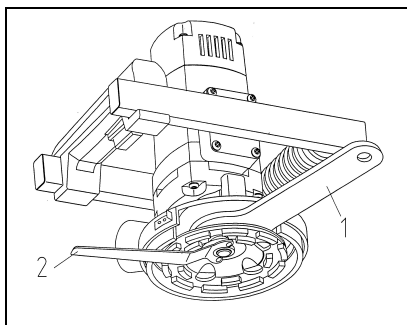
### **Vorsicht!**

**Der Schleifteller kann durch den Einsatz heiß werden. Sie können sich die Hände verbrennen oder sich an den Segmenten schneiden bzw. reißen. Benutzen Sie für den Werkzeugwechsel deshalb immer Arbeitsschutzhandschuhe.**

**Achtung! Vor allen Arbeiten am Gerät Netzstecker ziehen!**

Zuerst muss das hochklappbare Haubensegment geöffnet werden.





Nun kann mit dem Maulschlüssel (1) SW 32 die Flanscheibe zwischen Getriebe und Schleifscheibe gehalten werden. Mit dem Stiftlochschlüssel (2) kann die Mitnahmemutter gelöst werden. Danach kann die montierte Schleifscheibe entfernt bzw. die neue montiert werden. Der Zusammenbau erfolgt in umgekehrter Reihenfolge.

Lassen Sie die Maschine in sicherer Position kurz laufen. Bei unruhigem Lauf des Werkzeuges brechen Sie sofort die Arbeit ab.

### Nur Originalzubehör verwenden!

#### Einsatzgebiet der Schleifteller

Typ	Max. Nenn-drehzahl	Farbe	Anwendung
<b>Diamantschleifteller</b>			
<b>Beton</b>	10000 min <sup>-1</sup>	gold braun	Bearbeitung von Beton, Ziegel, Kalksandstein, Basalt, Sandstein
<b>Estrich</b>	10000 min <sup>-1</sup>	gelb	Bearbeitung von Frischbeton, Estrich, Kalkgips, Mörtel, Putz, weichen Kalksandstein
<b>Rapid K</b>	10000 min <sup>-1</sup>	blau	Entfernen von Epoxydharz- und Zweikomponentenbeschichtungen

#### Staubabsaugung

Beim Arbeiten entstehender Staub ist gesundheitsschädlich. Beim Schleifen ist deshalb ein Staubsauger zu verwenden und eine Staubschutzmaske zu tragen. Der passende Nass-Trocken-Sauger DSS 25 A / DSS 50 A / DSS 35 M iP ist als Zubehör erhältlich. Dieser wird direkt an den dafür vorgesehenen Stutzen an der Absaughaube angesteckt.

#### Wechsel des Bürstenkranzes

Beim Verschleiß der Bürsten bis auf 5mm (extreme Staubentwicklung beim Schleifen) muss der Bürstenkranz komplett ausgetauscht werden.

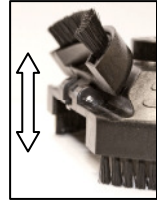
Ziehen Sie den verschlissenen Bürstenkranz heraus und ersetzen Sie ihn durch einen neuen.

## Arbeitshinweise

Schalten Sie das Gerät ein und setzen Sie es vorsichtig auf die zu bearbeitende Fläche auf. Halten Sie das Gerät fest in beiden Händen und arbeiten Sie in linearer oder kreisender Bewegung.

Beste Arbeitsergebnisse lassen sich erreichen, wenn kein übermäßiger Druck auf die zu bearbeitende Stelle ausgeübt wird.

Für Schleifarbeiten unmittelbar an Wandkanten kann ein Segment der Schutzhaube hochgeklappt werden. Dies ermöglicht eine Bearbeitung auch von sonst unzugänglichen Stellen.



### Achtung!

Bei allen anderen Schleifarbeiten darf nur mit vollständiger Schutzhaube gearbeitet werden.

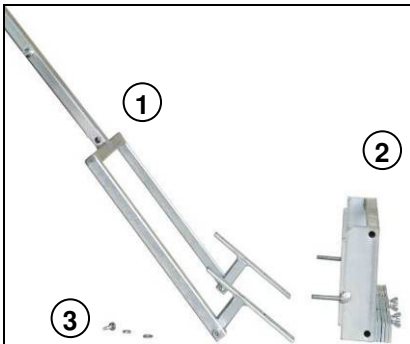
## Funktion und Montage des Bodenführungsgestell



### Achtung!

Vor allen Arbeiten am Gerät Netzstecker ziehen!

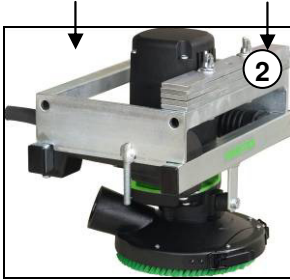
Für die Bearbeitung größerer Bodenflächen ist als Zubehör ein Bodenführungssystem erhältlich. Dieses ermöglicht eine komfortablere Handhabung des Betonschleifers.



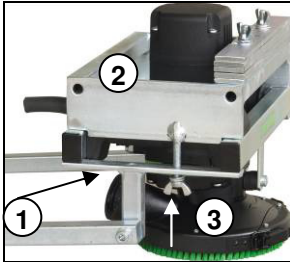
- ① Gestell mit Halterung
- ② Rahmenaufsatz mit Gewichten
- ③ Scheibe, Federring, Flügelmutter

## Montage

Arretieren Sie den Ein-/ Ausschalter des Betonschleifers und Stellen Sie bei der Version **EBS 125.4 RO** die Drehzahl auf Maximum.



Setzen Sie den Rahmenaufsatz mit den Gewichten (2) auf den Rahmengriff der Maschine auf.



Danach setzen Sie das Gestell mit der Halterung (1) unterhalb des Rahmengriffes an und fixieren dieses mit Scheibe, Federring und Flügelmutter (3) am Rahmenaufsatz (2).



Wickeln Sie die Netzleitung des Gerätes auf die dafür vorgesehene Halterung.

**Stellen Sie sicher, dass der Schalter des Bodenführungssystems nicht gedrückt oder arretiert ist.** Stecken Sie den Schleifer an der Steckdose des Bodenführungssystems an. Führen Sie den Schlauch des Saugers über das Bodenführungssystem, verbinden Sie ihn mit dem Schleifer. Der Schlauch des Saugers wird mit Hilfe der Schelle gegen Verrutschen gesichert.

## Überlastungsschutz

Die Betonschleifer sind zum Schutz von Bediener, Motor und Werkzeug mit einem elektronischen und thermischen Überlastungsschutz ausgerüstet.

Elektronisch: Bei einer Überlastung in Folge zu großem Anpressdrucks reagiert die Elektronik mit Absenkung der Drehzahl der Maschine. Nach Entlastung bzw. Verringerung des Druckes kann normal weitergearbeitet werden.

Wird die Maschine nicht entlastet bzw. weiterhin zu großer Druck auf das Gerät ausgeübt, schaltet die Maschine ab.

Nach dem Abschalten der Maschine ist der Geräteschalter aus- und wieder einzuschalten um weiterarbeiten zu können.

**Thermisch:** Mit Hilfe eines Thermoelementes wird der Motor bei anhaltender Überlastung vor Zerstörung geschützt. Die Maschine schaltet in diesem Falle selbstständig ab und kann erst nach entsprechender Abkühlung (ca. 2 min) wieder in Betrieb genommen werden. Ein-Aus-Schalter betätigen! Die Abkühlzeit ist abhängig von der Erwärmung der Motorwicklung und der Umgebungstemperatur.

## Pflege und Wartung



### **Vor Beginn der Wartungs- oder Reparaturarbeiten unbedingt Netzstecker ziehen!**

Reparaturen dürfen nur von qualifiziertem, auf Grund seiner Ausbildung und Erfahrung geeignetem Personal durchgeführt werden.

Das Gerät ist nach jeder Reparatur von einer Elektrofachkraft zu überprüfen.

Das Elektrowerkzeug ist so konstruiert, dass ein Minimum an Pflege und Wartung erforderlich ist. Folgende Punkte sind jedoch stets zu beachten:

- Das Elektrowerkzeug und die Lüftungsschlitze sind stets sauber zu halten.
- Bei der Arbeit ist darauf zu achten, dass keine Fremdkörper in das Innere des Elektrowerkzeuges gelangen.
- Bei einem Ausfall des Gerätes ist eine Reparatur nur durch eine autorisierte Werkstatt ausführen zu lassen.

## Umweltschutz



### **Rohstoffrückgewinnung statt Müllentsorgung**

Zur Vermeidung von Transportschäden muss das Gerät in einer stabilen Verpackung ausgeliefert werden.

Verpackung sowie Gerät und Zubehör sind aus recycelfähigen Materialien hergestellt und entsprechend zu entsorgen.

Die Kunststoffteile des Gerätes sind gekennzeichnet. Dadurch wird eine umweltgerechte, sortenreine Entsorgung über die angebotenen Sammeleinrichtungen ermöglicht.



### **Nur für EU-Länder**

Werfen Sie Elektrowerkzeuge nicht in den Hausmüll!  
Gemäß Europäischer Richtlinie 2012/19/EU über Elektro- und Elektronik- Altgeräte und Umsetzung in nationales Recht müssen verbrauchte Elektrowerkzeuge getrennt gesammelt und einer umweltgerechten Wiederverwertung zugeführt werden.

### **Geräusch / Vibration**

Das Geräusch dieses Elektrowerkzeuges wird nach DIN 45 635, Teil 21, gemessen. Der Schalldruckpegel am Arbeitsplatz kann 85 dB (A) überschreiten; in diesem Fall sind Schallschutzmaßnahmen für den Bediener erforderlich.



### **Gehörschutz tragen!**

Die Hand-/Arm-Vibration ist typischerweise niedriger als 2,5 m/s<sup>2</sup>.  
Messwerte ermittelt entsprechend EN 60 745.

Der angegebene Schwingungspegel repräsentiert die hauptsächlichen Anwendungen des Elektrowerkzeugs. Wenn allerdings das Elektrowerkzeug für andere Anwendungen, mit abweichenden Einsatzwerkzeugen oder ungenügender Wartung eingesetzt wird, kann der Schwingungspegel abweichen. Dies kann die Schwingungsbelastung über den gesamten Arbeitszeitraum deutlich erhöhen.

Für eine genaue Abschätzung der Schwingungsbelastung sollten auch die Zeiten berücksichtigt werden, in denen das Gerät abgeschaltet ist oder zwar läuft, aber nicht tatsächlich im Einsatz ist. Dies kann die Schwingungsbelastung über den gesamten Arbeitszeitraum deutlich reduzieren. Legen Sie zusätzliche Sicherheitsmaßnahmen zum Schutz des Bedieners vor der Wirkung von Schwingungen fest wie zum Beispiel: Wartung von Elektrowerkzeug und Einsatzwerkzeugen, Warmhalten der Hände, Organisation der Arbeitsabläufe.

### **Staubschutz**

Stäube von Materialien wie bleihaltigem Anstrich, einigen Holzarten, Mineralien und Metall können gesundheitsschädlich sein. Berühren oder Einatmen der Stäube können allergische Reaktionen und/oder Atemwegserkrankungen des Benutzers oder in der Nähe befindlicher Personen hervorrufen.

Bestimmte Stäube wie Eichen- oder Buchenstaub gelten als krebserzeugend, besonders in Verbindung mit Zusatzstoffen zur

Holzbehandlung (Chromat, Holzschutzmittel). Asbesthaltiges Material darf nur von Fachleuten bearbeitet werden.

- Benutzen Sie möglichst eine Staubabsaugung.
- Um einen hohen Grad der Staubabsaugung zu erreichen, verwenden Sie den Industriestaubsauger DSS 25/35/50 für Holz und/oder Mineralstaub gemeinsam mit diesem Elektrowerkzeug.
- Sorgen Sie für gute Belüftung des Arbeitsplatzes.
- Es wird empfohlen, eine Atemschutzmaske mit Filterklasse P2 zu tragen.

### **Gewährleistung**

Entsprechend unserer allgemeinen Lieferbedingungen gilt im Geschäftsverkehr gegenüber Unternehmen eine Gewährleistungsfrist für Sachmängel von 12 Monaten (Nachweis durch Rechnung oder Lieferschein).

Schäden, die auf natürliche Abnutzung, Überlastung oder unsachgemäße Behandlung zurückzuführen sind, bleiben davon ausgeschlossen.

Schäden, die durch Material- oder Herstellfehler entstanden sind, werden unentgeltlich durch Reparatur oder Ersatzlieferung beseitigt.

Beanstandungen können nur anerkannt werden, wenn das Gerät unzerlegt an den Lieferer oder eine Eibenstock-Vertragswerkstatt gesandt wird.

### **CE Konformitätserklärung**

Wir erklären in alleiniger Verantwortung, dass das unter „Technische Daten“ beschriebene Produkt mit folgenden Normen oder normativen Dokumenten übereinstimmt:

EN 60 745

gemäß der Bestimmungen 2011/65/EU, 2004/108/EG, 2006/42/EG

Technische Unterlagen (2006/42/EG) bei:

Elektrowerkzeuge GmbH Eibenstock

Auersbergstraße 10

D – 08309 Eibenstock



Lothar Lässig  
General Manager



Frank Markert  
Head of Engineering

28.04.2014



## Consignes de Sécurité

Des instructions et avertissements importants sont présentés par symboles sur la machine.



**Pour utiliser la machine en toute sécurité, lire d'abord attentivement le mode d'emploi et respecter les directives indiquées. Travailler concentré et avec soin.**



**Veillez à ce que votre espace de travail reste propre et évitez des situations dangereuses.**



**Mesures préventives afin de protéger la sécurité de l'opérateur**

Pour votre propre sécurité, utilisez les lunettes de protection, un protecteur anti-bruit, un masque contre la poussière, les gants de protection et portez une robuste tenue de travail !



**Protecteur antibruit**



**Lunettes de protection**



**Masque anti poussière**



**Gants de protection**

Avertissements



**Attention : Règles de sécurité**



**Attention : Voltage dangereux**



**Attention : Surface chaude**



**Danger de déchirure ou de coupure**

## Caractéristiques Techniques

### Ponceuse à Béton      EBS 125.4 O, EBS 125.4 RO

	EBS 125.4 O		EBS 125.4 RO	
Puissance absorbée(W):	1500			
Tension nominale (V):	110	230	110	230
Ampérage (A):	14	6	14	6
Fréquence (Hz):	50-60			
Vitesse nominale (min <sup>-1</sup> ):	10000		6000-10000	
Max. diamètre du disque: (mm):	125			
Axe:	M 14			
Poids (kg):	4,9			
Isolation double:	II			
Degré de protection:	IP 20			
Antiparasitage selon:	EN 55014 et 61000			
Référence:	06327	06324	0632F	06325

### Accessoires disponibles:

Article		Référence
<b>Meule diamantée</b>		
Type	Couleur	
béton standard	doré, sable	37114
béton premium	doré, sable	37102
Arase	jaune	37103
Rapid K	bleu	37110
Couronne de brosse		3722A
Système de guidage au sol		37210
Aspirateur industriel DSS 25 A		09915
Aspirateur industriel DSS 50 A		09916
Aspirateur industriel DSS 35 M iP		09919

Pour de plus amples informations à propos de nos produits et notre vaste gamme d'accessoires, veuillez consulter: [www.eibenstock.com](http://www.eibenstock.com)

## Contenu de l'emballage

Ponceuse, outillage et mode d'emploi dans coffre métallique.

## Mode d'emploi

La ponceuse à béton est un outil pour usage professionnel. En utilisant les disques appropriés, la ponceuse sert à égaliser des déformations sur surfaces de béton, à enlever des coutures de coffrage, surfaces de boue et des bavures de poses de carrelage.

**N'utilisez que les disques recommandés par le fabricant ! Des disques trop lourds ou non équilibrés peuvent conduire à la surcharge et à la détérioration de la machine.**

## Consignes de Sécurité



**Pour utiliser la machine en toute sécurité, lire d'abord attentivement le mode d'emploi et respecter les directives indiquées. Avant la première utilisation de la machine, demander quelques conseils pratiques.**



**Si le câble de raccordement est endommagé ou sectionné pendant l'utilisation, ne pas toucher, mais retirer immédiatement la fiche du secteur. Ne jamais faire fonctionner l'appareil lorsque le câble est endommagé.**



**Le bloc moteur ne doit pas être humide, ni utilisé sous l'eau ou par temps de pluie.**

- Ne travaillez pas près de matières facilement inflammables ou explosives.
- Ne pas travailler de matières contenant de l'amiante.
- Il est formellement interdit de modifier cet appareil.
- Ne jamais utiliser la machine sans que le capot de protection et anti-poussière ne soit monté. N'utiliser cette machine avec le capot de protection partiellement démonté que dans des coins.  
**Pour toute autre application, le capot de protection doit toujours être fermé.**
- Vérifier le câble et la fiche de la machine avant toute utilisation. En cas de détérioration, confier la réparation à un professionnel. N'introduire la fiche dans la prise que lorsque l'interrupteur de la ponceuse est sur arrêt.
- N'insérez la fiche dans la prise que quand l'outil est à l'arrêt.
- A l'extérieur, cette machine doit être utilisée impérativement avec un interrupteur à courant différentiel de 30 mA max.
- Retirer la fiche et s'assurer que l'interrupteur est sur arrêt lorsque la machine est arrêtée, par exemple en cas de travaux de montage et de démontage, de chute de tension, de montage ou de démontage d'un accessoire

- Débrancher la machine si elle reste inutilisée pour une raison quelconque. Vous éviterez ainsi un démarrage brusque et sans surveillance.
- Ne pas utiliser l'appareil lorsqu'une partie du carter est endommagée, ou en cas de dégâts à l'interrupteur, au câble ou à la prise.
- Vérifiez que la vitesse maximale d'utilisation indiquée sur le disque soit au moins égale à celle de la machine.
- Stocker et utiliser les disques avec soin et selon les instructions du fabricant.
- Contrôler les outils avant toute utilisation. Ne pas utiliser de produits cassés, fêlés ou endommagés de quelque manière que ce soit.
- Avant de mettre la machine en service il faut vérifier le montage correct des disques et accessoires. La machine doit fonctionner environ 30 secondes au point mort et dans une position sûre. Mettez immédiatement l'appareil hors tension si de fortes vibrations ou autres défauts apparaissent.
- Veiller à ce que le câble d'alimentation et le tuyau d'aspiration cheminent vers l'arrière de la machine.
- Les outils électriques doivent être inspectés par un spécialiste à intervalles réguliers.
- Ne transportez jamais la machine par son câble.
- Ne pas toucher les pièces rotatives.
- Les personnes de moins de 16 ans ne sont pas autorisées à utiliser l'outil



- **L'opérateur ainsi que les personnes présentes dans son environnement direct doivent porter des protections auditives, un masque anti-poussière ainsi que des lunettes de protection.**
- S'assurer que les personnes présentes sur le lieu de travail ne soient pas menacées par des particules en suspension dans l'air.
- Maintenir les poignées sèches, propres et exemptes d'huile et de graisse.
- **Pendant le fonctionnement, toujours tenir la machine avec les deux mains et adopter une position sûre.**
- **Attention ! L'outil tourne encore par inertie après la mise hors tension de la machine.**

**Suivre également les consignes de sécurité générales figurant dans la notice en annexe !**



**Raccordement électrique**

Avant la mise en service, vérifiez si la tension et la fréquence du secteur correspondent aux données figurant sur la plaque signalétique. Des écarts

de tension de + 6% à – 10% sont admissibles. Cette ponceuse est réalisée dans la classe de protection II.

Utiliser uniquement des rallonges ayant un diamètre suffisant. Un diamètre trop petit pourrait diminuer considérablement la performance et faire surchauffer la machine et le câble.

La machine intègre un limiteur de vitesse au démarrage afin d'éviter d'endommager inutilement les fusibles rapides.

## Ein-/ Ausschalten

### Utilisation brève

Marche:           presser l'interrupteur  
Arrêt:            relâcher l'interrupteur

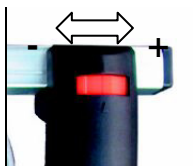
### Utilisation continue

Marche:           presser l'interrupteur et, en le maintenant pressé, engager le bouton de blocage  
Arrêt:            presser l'interrupteur puis le relâcher



### **Attention !**

**En cas d'arrêt provoqué par la machine ou d'interruption de courant, déverrouiller immédiatement le bouton de blocage en pressant l'interrupteur marche arrêt afin d'éviter un redémarrage intempestif de la machine (risque de blessure).**



La polisseuse **EBS 125.4 RO** est équipée d'une molette de réglage afin de permettre un contrôle à réglage continu de la vitesse de 6000 et 10 000 tr/min. La molette de réglage se trouve sur la partie supérieure de la poignée en face de l'interrupteur marche/arrêt.

Un usage permanent à vitesse réduite peut entraîner une surcharge parce que le moteur reçoit alors moins d'air de refroidissement et la machine sera donc surchauffée beaucoup plus rapidement.

## Remplacement du Disque

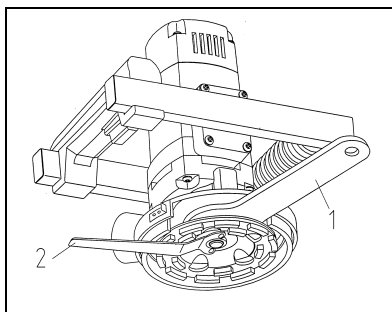
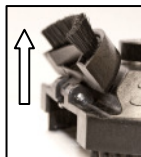


### **Précautions !**

**Le disque peut chauffer excessivement en ponçant. Vous pourriez vous brûler les mains, vous couper ou vous écorcher avec les segments. Portez donc toujours des gants de protection pour changer**

**le disque. Avant de changer le disque, débranchez le câble d'alimentation de la machine !**

Il faut commencer par déposer la partie démontable du capot anti-



On peut ensuite verrouiller le disque d'entraînement entre la machine et le disque à l'aide de la clé de 32 (1). Desserrer l'écrou de sécurité à l'aide de la clé à pans (2). Enlever ensuite le disque et le remplacer par un nouveau. Pour le remontage, procéder en ordre inverse.

Démarrer la machine un court instant dans une position sans danger pour s'assurer du bon montage ! Cessez immédiatement le travail si un dysfonctionnement intervient.

**N'utilisez que des accessoires d'origine.**

#### Applications des disques de ponçage

Type	Vitesse nominale max.	Couleur	Application
<b>Roue de ponçage en diamant</b>			
<b>Béton</b>	10,000 min <sup>-1</sup>	doré, sable	pour la finition et le dressage du béton, briques, gès, basalte, pierre de taille
<b>Arase</b>	10,000 min <sup>-1</sup>	jaune	pour la finition du béton frais et vert, arase, mortier, plastique, pierre de taille tendre
<b>Rapid K</b>	10,000 min <sup>-1</sup>	bleu	pour le nettoyage des résines époxy et des revêtements binaires

#### Aspiration des poussières

L'exposition aux poussières de béton peut nuire à la santé. C'est pour cette raison que la ponceuse à béton doit être raccordée à un aspirateur industriel et qu'il faut porter un masque anti-poussière (classe de filtre P2).

Un tel aspirateur est disponible en accessoire, il peut être raccordé directement à la ponceuse.

### Remplacement de la couronne à balais.

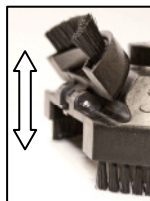
Il faut remplacer la couronne à balais complète lorsque l'épaisseur du balais n'est plus que de 5 mm (grandes quantités de poussières émises pendant le ponçage).

#### Instructions de travail

Mettre en marche la machine et la poser avec précaution sur la surface à traiter. Il faut toujours manier la machine des deux mains. Travaillez avec des mouvements linéaires ou rotatifs.

On obtiendra les meilleurs résultats sans exercer de pression excessive sur la surface à traiter.

Pour effectuer des travaux contre des parois, on peut retirer la partie avant du capot anti-poussière. Ceci permet de travailler dans des endroits difficilement accessibles.



#### Attention !

**Pour tous les autres travaux, il faut toujours que le capot de protection soit complètement monté.**

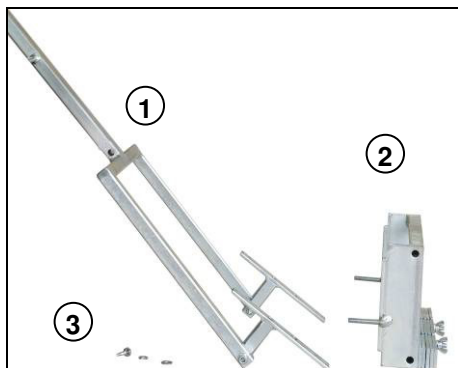
#### Fonction et assemblage du dispositif de guidage au sol



#### Attention!

**Avant d'effectuer des travaux sur l'appareil, débranchez la prise secteur !**

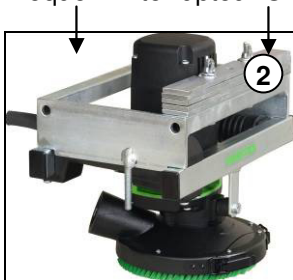
Pour les travaux de ponçage sur les surfaces au sol plus importantes, un dispositif de guidage au sol est disponible comme accessoire. Il permet une manipulation plus confortable de la ponceuse à béton.



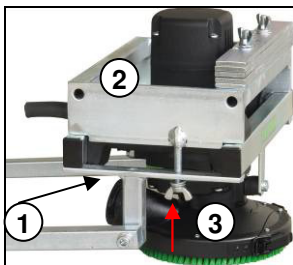
- ① dispositif avec support
- ② châssis supérieur avec poids
- ③ disque, anneau élastique, écrou papillon

## Assemblage

Bloquez l'interrupteur ON/OFF de la ponceuse à béton.



Placer le châssis supérieur avec les poids ② sur la poignée du châssis de la machine



Placez ensuite le dispositif avec le support ① sous la poignée de châssis et fixez-le avec un disque, un anneau élastique et l'écrou papillon ③ sur le châssis supérieur ②.



Enroulez le cordon de l'outil sur le support destiné à cet effet. **Assurez-vous que l'interrupteur du dispositif de guidage au sol n'est pas enclenché ou verrouillé.** Branchez la ponceuse dans la prise du dispositif de guidage au sol. Amenez le flexible de l'aspirateur au dessus du dispositif de guidage au sol et branchez-le à la ponceuse. La pince empêchera que le flexible ne glisse.

### Protection contre les surcharges

Pour protéger l'opérateur, le moteur et le foret, le Ponceuse à Béton est équipé de protections électronique et thermique contre les surcharges

Electronique: En cas de surcharge suite à une trop forte pression de serrage, l'électronique réagit en abaissant le nombre de tours de la machine. Après décharge, resp. réduction de la pression, il est possible de continuer à travailler normalement.

Si la charge de la machine n'est pas réduite, resp. si la pression exercée sur la machine reste trop forte, la



machine s'arrête. Après l'arrêt de la machine, il faut commuter l'interrupteur de la machine hors et en service pour pouvoir travailler de nouveau.

**Thermique:** Le moteur est protégé en cas de surcharges répétées (malgré la protection électronique) par une protection thermique. Le moteur s'éteindra alors de lui-même, et ne peut être remis en route qu'après refroidissement (environ 2 minutes). Le temps avant de pouvoir redémarrer le moteur dépend de la surchauffe des enroulements du moteur, et de la température extérieure

## Entretien



**Avant de procéder à des travaux d'entretien ou de réparation, retirer la prise du secteur et vérifier la mise hors service de la ponceuse.**

Les réparations ne peuvent être effectuées que par un personnel qualifié, choisi en raison de sa formation et de son expérience. Après chaque réparation, l'appareil doit être examiné par un électricien qualifié.

De par sa conception, cette machine nécessite un minimum de soin et d'entretien. Il faut cependant régulièrement effectuer les travaux suivants ou examiner les pièces suivantes :

- S'assurer de la propreté de la machine et de la grille d'aération du moteur.
- Pendant le travail, veiller à ce qu'aucun corps étranger ne parvienne à l'intérieur de la machine.
- En cas de panne de l'appareil, faire effectuer la réparation par un atelier autorisé.

## Protection de l'Environnement



**Recyclage des matières premières plutôt que Traitement des déchets**

Pour éviter des dommages liés au transport, l'appareil doit être livré dans un emballage résistant.

L'emballage, ainsi que le moteur et ses accessoires sont fabriqués à partir de matériaux recyclables, ce qui permet de les traiter de manière écologique une fois arrivés en fin de vie. Les composants plastiques sont identifiés en fonction de leur nature ce qui facilite leur tri par les usines de retraitement.

### **Pour les pays européens uniquement**

Ne pas jeter les appareils électriques dans les ordures ménagères ! Conformément à la directive européenne 2012/19/UE relative aux déchets d'équipements électriques ou électroniques (DEEE), et à sa transposition dans la législation nationale, les appareils électriques doivent être collectés à part et être soumis à un recyclage respectueux de l'environnement



### **Bruit / Vibration**

Le bruit de cet appareil est mesuré selon la norme DIN 45 635, partie 21. Le niveau de pression acoustique sur le lieu de travail peut dépasser 85 dB (A). Dans ce cas, il convient de prendre des mesures de protection anti-bruit pour l'utilisateur.



### **Portez une protection acoustique !**

Le niveau de vibration de la main et du bras est typiquement inférieur à 2,5 m/s<sup>2</sup>. Mesures réalisées conformément à la norme européenne EN 60 745. Le niveau de vibrations revendiqué correspond aux principales utilisations de l'appareil. Cependant, si l'appareil est utilisé pour d'autres applications, avec d'autres outils de travail ou avec un entretien non approprié, le niveau de vibrations peut différer. Ceci peut augmenter sensiblement la sollicitation vibratoire pendant toute la durée de travail.

Pour une estimation précise de la sollicitation vibratoire, il est recommandé de prendre aussi en considération les espaces de temps pendant lesquels l'appareil est éteint ou en fonctionnement, mais non utilisé. Ceci peut réduire sensiblement la sollicitation vibratoire pendant toute la durée de travail. Déterminez des mesures de protection supplémentaires pour protéger l'utilisateur des effets de vibration, telles que par exemple : Entretien de l'outil électroportatif et des outils de travail, maintenir les mains chauds, organisation des opérations de travail.

### **Protection contre les poussières**

Les poussières de matériaux tels que peintures contenant du plomb, certains bois, minéraux ou métaux, peuvent être nuisibles à la santé. Toucher ou aspirer les poussières peut entraîner des réactions allergiques et/ou des maladies respiratoires auprès de l'utilisateur ou de personnes se trouvant à proximité. Certaines poussières telles que les poussières de chêne ou de hêtre sont considérées comme cancérigènes, surtout en combinaison avec des additifs pour le traitement du bois (chromate, lasure). Les matériaux contenant de l'amiante ne doivent être travaillés que par des personnes qualifiées.

- Utilisez un système d'aspiration des poussières.
- Afin d'obtenir un haut niveau d'aspiration des poussières, utilisez un aspirateur industriel pour bois et / ou poussière minérale avec cette ponceuse.
- Veillez à bien aérer la zone de travail.
- Il est recommandé de porter un masque respiratoire de la classe de filtre P2.

### Garantie

Conformément à nos conditions générales de vente, la durée de la garantie pour les entreprises est de douze mois (justification par facture ou bon de livraison). Les dommages résultant d'une utilisation anormale, d'une surcharge ou d'une manipulation non conforme en sont exclus.

Les dommages résultant de vices de matières premières ou de fabrication seront pris en charge gratuitement par réparation ou remplacement.

Les réclamations ne peuvent être acceptées que lorsque l'appareil est envoyé non démonté au Service Après-vente Eibenstock.

### CE Certificat de Conformité

Nous déclarons sous notre propre responsabilité que le produit décrit sous « Caractéristiques techniques » est en conformité avec les normes ou documents normatifs suivants:

EN 60 745

conformément aux termes des réglementations en vigueur 2011/65/EU, 2004/108/EG, 2006/42/EG

Dossier technique (2006/42/CE) auprès de:

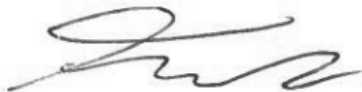
Elektrowerkzeuge GmbH Eibenstock

Auersbergstraße 10

D – 08309 Eibenstock



Lothar Lässig  
General Manager



Frank Markert  
Head of Engineering

28.04.2014

## Belangrijke richtlijnen

Belangrijke richtlijnen en veiligheidsvoorschriften staan met symbolen op de machine



**Gebruiksaanwijzing lezen**



**Werk voorzichtig en geconcentreerd. Houd uw werkplek schoon en vermijd gevaarlijke situaties.**



**Neem voorzorgsmaatregelen om de gebruiker te beschermen.**

Voor uw eigen veiligheid dient u de volgende veiligheidsvoorschriften te volgen:



**Draag een geluidwerende helm**



**Draag een veiligheidsbril**



**Draag werkhandschoenen**



**Draag altijd een stofmasker**

## Waarschuwingen



**Opgelet: Veiligheidsregels**



**Opgelet: Gevaarlijk voltage**



**Opgelet: Heet oppervlak**



**Gevaar op scheurwonden en snijwonden**

## Technische gegevens

### Betonslijper EBS 125.4 O, EBS 125.4 RO

	EBS 125.4 O		EBS 125.4 RO	
Opgenomen vermogen (W):	1500			
Nominale spanning (V):	110	230	110	230
Nominale stroom (A):	14	6	14	6
Frequentie (Hz):	50-60			
Nominale draaisnelheid (min <sup>-1</sup> ):	10000		6000-10000	
Maximale grootte van de slijpschijf:	125 mm			
Gereedschapshouder:	M 14			
Gewicht (kg):	4,9			
Beschermingsklasse:	II			
Beschermingsgraad:	IP 20			
Ontstoring:	EN 55014 en 61000			
Bestelnummer:	06327	06324	0632F	06325

### Verkrijgbare accessoires:

Item	Bestelnummer
<b>Diamant slijpwiël</b>	
Type	Kleur
Beton standard	goud, zand 37114
Beton premium	goud, zand 37102
Egalisatiebeton	geel 37103
Rapid K	blauw 37110
Borstelrand	3722A
Floor guiding device	37210
Industriële stofzuiger DSS 25 A	09915
Industriële stofzuiger DSS 50 A	09916
Industriële stofzuiger DSS 35 M iP	09919

Voor meer informatie over onze producten en ons grote aanbod aan accessoires kijkt u op: [www.eibenstock.com](http://www.eibenstock.com)

## Leveringsomvang

Betonslijper met diamant slijpwiël (beton), gereedschapsset en gebruiksaanwijzingen in een toolbox.

## Toepassing voor Bestemd Doeleinde

De betonslijper is bedoeld voor professioneel gebruik.

Het gereedschap, uitgerust met een gepast slijpwielt, kan worden gebruikt voor het effenen van ruw beton of het verwijderen van vormplooien, opgedroogde modder, voegvulling en kleefmiddelen voor tegels.

**Gebruik alleen slijpwielen die door de fabrikant worden aanbevolen.**

**Deze zijn licht van gewicht en hebben een hoge concentriciteit. Het gebruik van andere slijpwielen kan een overbelasting van de machine, schade aan de lagers en gevaar voor de gebruiker veroorzaken.**

## Veiligheidsvoorschriften



**Lees deze handleiding volledig en zorgvuldig. Houdt u aan de veiligheidsvoorschriften.**

**Ook de algemene veiligheidsvoorschriften in de bijgesloten brochure dient u goed te lezen. Vraag om een demonstratie door de verkoper, voordat u de machine voor het eerst gebruikt.**



**Raak de kabel niet aan indien deze beschadigd is tijdens werkzaamheden en sluit onmiddellijk de stroomvoorziening af.**

**Gebruik de machine nooit met een beschadigde kabel.**



**Zorg dat de machine niet aan direct regenwater blootgesteld wordt.**

- Gebruik de machine niet in een omgeving met explosie gevaar.
- Boor niet in asbesthoudende materialen.
- Manipulatie van de machine leidt tot verbeuring van de garantie.
- Gebruik de machine nooit zonder stofschermb.  
Gebruik de machine met een gedeeltelijk afgenomen stofschermb alleen in hoeken.

**Voor alle andere toepassingen moet het stofschermb altijd gesloten zijn.**

- Controleer altijd voor gebruik de machine, kabel en stekker. Reparaties dienen verricht te worden door een geautoriseerde specialist. Zorg dat de machine uit staat als de stroomvoorziening aangesloten wordt. Steek de stekker pas in het stopcontact nadat de schakelaar van het gereedschap op "off" (uit) is ingesteld.
- De machine moet samen met een differentieelschakelaar van max. 30mA worden gebruikt.
- Laat de machine nooit zonder toezicht achter.  
Schakel de machine uit en haal de stekker uit het stopcontact als de machine zonder toezicht wordt achtergelaten, tijdens de montage en

demontage van de machine, in geval van een spanningsval of tijdens het plaatsen of afhalen van een accessoire.

- Schakel de machine uit als deze onverwacht stopt. Voorkom dat de machine plotseling en zonder toezicht wordt gestart.
- Niet gebruiken indien delen van de behuizing, de knoppen, de kabel of de stekker beschadigd zijn.
- Zorg dat de snelheid vermeld op het slijpwiël voldoet of hoger is dan de max. snelheid vermeld op de machine.
- Gebruik of berg de slijpwielen voorzichtig op in overeenstemming met de aanwijzingen van de fabrikant.
- Controleer de accessoires vóór ingebruikname. Gebruik geen enkele producten die gebroken, gebarsten of op andere wijze beschadigd zijn.
- Controleer vóór gebruik of het apparaat correct bevestigd en vergrendeld is. Laat het op een veilige plek ca. 30 seconden stationair draaien. Schakel het onmiddellijk uit als er aanzienlijke vibraties optreden of andere defecten herkenbaar zijn.
- Leg de voedingskabel, verlengkabel en ook de afzuigslang uit de buurt van de machine.
- Elektrisch gereedschap moet regelmatig door een specialist onderzocht worden.
- Draag de machine nooit aan de kabel
- Raak de bewegende onderdelen niet aan.
- Personen jonger dan 16 jaar mogen het apparaat niet gebruiken.
- **De gebruiker en eventuele omstanders moeten tijdens gebruik geschikte oorbeschermers, een stofmasker, een veiligheidsbril en tevens beschermende handschoenen dragen.**



- Zorg ervoor dat personen in de werkomgeving geen letsel kunnen oplopen wegens rondvliegende stukjes.
- Houd uw handen droog, schoon en vrij van olie en smeer.
- **Houd tijdens de werking het gereedschap met beide handen vast.**
- **Opgelet! Het gereedschap stopt niet onmiddellijk na uitschakeling.**

**Zie a.u.b. de behuizing voor meer veiligheidsinstructies!**



**Stroomvoorziening**

Controleer eerst of het beschikbare voltage en de beschikbare frequentie overeenkomen met de gegevens op het typeplaatje. Een afwijking in voltage van +6 tot -10 % is toegestaan. De machine is veiligheidsklasse II.

Gebruik uitsluitend verlengsnoeren met een voldoende dwarsdoorsnede. Een dwarsdoorsnede die te klein is kan leiden tot een aanzienlijke daling van de prestaties en oververhitting van de kabel machine. Het gereedschap is uitgerust met een snelheidsbegrenzer bij opstart om een snelle expansie-smetveiligheid door onverwachte reacties te voorkomen.

## Aan-/uitschakelen

### Onderbroken bedrijf

Inschakelen: AAN-/UITschakelaar indrukken

Uitschakelen: AAN-/UITschakelaar loslaten

### Ononderbroken bedrijf

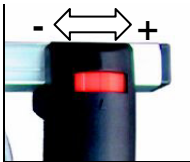
Inschakelen: AAN-/UITschakelaar indrukken en op ingedrukte positie met blokkeerknop blokkeren

Uitschakelen: AAN-/UITschakelaar opnieuw indrukken en weer loslaten.

### Let op!



**Bij iedere stop van de machine of bij stroomonderbrekingen, dient de vergrendeling van de Aan-/Uitschakelaar onmiddellijk te worden losgelaten door het indrukken van de schakelaar. Dit is ter voorkoming van het onbedoeld herstarten van de machine (fysiek risico).**



De **EBS 125.4 RO** is uitgerust met een afstelwiel voor een continu variabele snelheidsregeling van 6000 en 10000 min<sup>-1</sup>.

Het afstelwiel zit bovenop het hendel, tegenover de aan/uitschakelaar.

Permanent gebruik op gereduceerde snelheid kan tot overbelasting leiden, omdat de motor minder koellucht ontvangt en de machine dus veel sneller oververhit zal raken.

## Wisselen van de slijpschijf

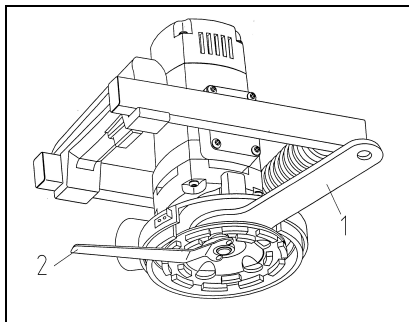
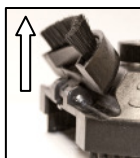


### Opgelet!

Het slijpwieltje kan tijdens de werking zeer heet zijn. U kunt uw handen verbranden en scheur- of snijwonden door de gedeeltes oplopen. Draag daarom altijd werkhandschoenen wanneer u het slijpwieltje vervangt. Haal altijd de stekker uit het stopcontact voordat u een handeling op het gereedschap uitvoert!



Ten eerste, de opvouwbare kap segment worden geopend.poussière.



Ten eerste, de opvouwbare kap segment worden geopend. Dan kan men met de steeksleutel (1) SW 32 de flensschijf tussen de motor en de slijpschijf tegenhouden. Met de speciaalsleutel (2) kan de bevestigingsmoer losgedraaid worden. Het vastzetten van de nieuw slijpschijf gebeurt in de omgekeerde volgorde.

Na de montage van het slijpwiël, schakel de machine gedurende een korte periode en in een veilige positie in. Als de machine niet naar behoren werkt, schakel deze onmiddellijk uit.

**Gebruik alleen originele accessoires!**

### Toepassingen van de slijpwielen

Type	Max. Toegestane Snelheid	Kleur	Toepassing
<b>Diamanten Slijpwiël</b>			
<b>Beton</b>	10,000 min <sup>-1</sup>	goud, zand	voor het afwerken van beton, baksteen, kalk- zandsteen, basalt, zandsteen
<b>Egalisatiebegon</b>	10,000 min <sup>-1</sup>	geel	voor het afwerken van vers en groen beton, dekvloer, kalk-gips, mortel, gips, zachte kalk
<b>Rapid K</b>	10,000 min <sup>-1</sup>	blauw	voor het verwijderen van epoxyresten en twee-componenten lagen

### Stof Afzuiging

Stof dat tijdens werkzaamheden ontstaat is gevaarlijk voor uw gezondheid. Daarom moet de betonslijper worden gebruikt in combinatie met een stofzuiger, en u dient een stofmasker te dragen. De ondersteunde

Nat/Droog Stofzuiger DSS 25 A / DSS 50 A / DSS 35 MiP is verkrijgbaar als accessoire. Deze kan direct worden aangesloten op de stofkap.

### De borstelrand vervangen

Als de lengte van de borstelharen - door slijtage - korter is dan 5 mm (zeer veel stof tijdens het slijpen), dient de borstelrand compleet vervangen te worden.

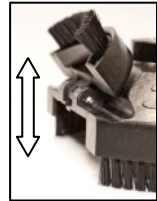
## Gebruiksaanwijzingen

Schakel de machine in en plaats deze voorzichtig op het te behandelen oppervlak. Houd het gereedschap met beide handen vast en voer cirkelvormige of lineaire bewegingen uit.

Voor het beste resultaat: Oefen niet teveel druk uit op het te behandelen oppervlak.

Voor het slijpen in hoeken van de muur één segment van het stofscherm kan worden opgeklapt.

Dit zorgt ervoor dat u tevens moeilijk te bereiken oppervlakken kunt slijpen.



### **Opgelet!**

**Voor alle andere slijptoeepassingen moet het stofscherm altijd volledig gesloten zijn.**

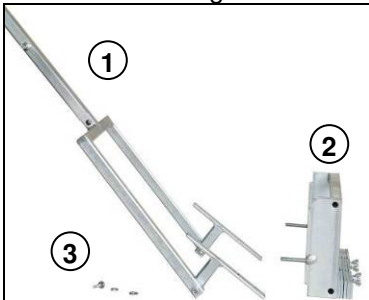
## Werking en Montage van de Vloergeleider



### **Attentie!**

**Alvorens dit werk uit te voeren dient u de stekker uit het stopcontact te trekken!**

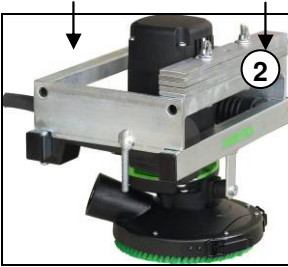
Voor slijpwerk op grote vloeren is een vloergeleider beschikbaar als accessoire. Dit zorgt voor een comfortabeler gebruik van de slijptol.



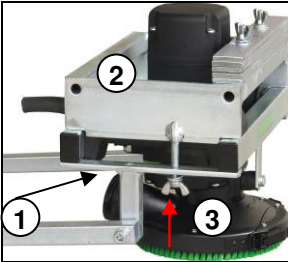
- ① apparaat met houder
- ② bovenzijde met gewichten ring, aandrukring,
- ③ vleugelmoer

## Montage

Zet de AAN/UIT schakelaar van de betonslijper vast.



Plaats de bovenzijde met de gewichten (2) op de beugel op de machine.



Zet dan het apparaat met de beugel (1) onder de hendel en zet deze vast met de ring, aandrukring en vleugelmoer (3) aan de bovenzijde (2).



Wind het snoer van de machine op in de houder die hiervoor bedoeld is. **Zorg ervoor dat de schakelaar van de vloergeleider niet ingedrukt of vastgezet is.** Plaats de slijper in de gleuf van de vloergeleider. Leid de slang van de stofzuiger over de vloergeleider heen, en verbind deze met de slijper. De klem voorkomt het wegglijden van de slang.

## Overbelastingbeveiliging

De Betonslijper is voorzien van een elektronische en thermische overbelastingbeveiliging om de gebruiker, de motor en het apparaat te beschermen.

**Elektronisch:** In het geval van overbelasting veroorzaakt door een te hoge slijpdruk, zal de elektronica reageren door de snelheid van de machine te verlagen. U kunt doorwerken wanneer de slijpdruk is gereduceerd.

**Thermisch:** De motor wordt beschermd tegen vernietiging in geval van een permanente overbelasting door een thermokoppeling. Het apparaat zal in dit geval automatisch uitschakelen en kan pas na een bepaalde afkoelperiode (ca. 2 minuten)

opnieuw gestart. De afkoelperiode hangt af van de verhitting van de motorwikkeling en de omgevingstemperatuur.

## Onderhoud



### **Sluit de stroomtoevoer af voordat u gaat werken aan de machine!**

Reparaties mogen uitsluitend door gekwalificeerd, op basis van haar opleiding en ervaring geschikt personeel doorgevoerd worden.

Het apparaat dient na iedere reparatie door een vakkundige elektromonteur gecontroleerd te worden.

Het elektrische gereedschap is zodanig ontworpen, dat een minimum aan onderhoud noodzakelijk is. Regelmatig dienen echter volgende werkzaamheden uitgevoerd c.q. dienen volgende componenten gecontroleerd te worden:

- Het elektrogedeelte en de ventilatiesleuven moeten schoon worden gehouden
- Let er tijdens de werkzaamheden op dat er geen vreemde voorwerpen terechtkomen in het inwendige van de roerinrichting.
- Bij een uitval van het apparaat mag men een reparatie enkel in een erkende werkplaats laten uitvoeren.

## Milieubescherming



### **Recyclage in plaats van afvalverwijdering**

Om beschadiging tijdens het transport te vermijden moet het apparaat in een stevige en stabiele verpakking geleverd worden. Verpakking, apparaat en toebehoren zijn van recycleerbaar materiaal vervaardigd en moeten dienovereenkomstig behandeld en verwerkt worden.

De plastic elementen van het apparaat zijn speciaal gemerkt. Hierdoor kunnen ze op milieubewuste wijze gesorteerd en/of geëlimineerd worden door ze te deponeren bij de aanbevolen inzamelinstallaties.

### **Alleen voor EU-landen**

Geef elektrisch gereedschap niet met het huisvuil mee!



Volgens de Europese richtlijn 2012/19/EU inzake oude elektrische en elektronische apparaten en de toepassing daarvan binnen de nationale wetgeving, dient gebruikt elektrisch gereedschap gescheiden te worden ingezameld en te worden afgevoerd naar een recycle bedrijf dat voldoet aan de geldende milieueisen.

## Geluid en trilling

De geluidsontwikkeling van dit elektrische apparaat wordt gemeten volgens de DIN 45 635, deel 21. Bij gebruik van het apparaat op de werkplek kan het geluidsniveau van 85 dB worden overschreden. In dat geval is het noodzakelijk om gehoorgeschermdende maatregelen te treffen.



### **Draag oorbescherming !**

De hand-/arm-trilling is lager dan  $2,5 \text{ m/s}^2$ .

De waarden zijn gemeten volgens de EN 60 745.

Het in deze instructies vermelde trilniveau werd in overeenstemming met een in EN 60745 genormaliseerde meetmethode gemeten en kan voor de onderlinge vergelijking van elektrisch gereedschap gebruikt worden. Het is ook voor een voorlopige inschatting van de belasting door trillingen geschikt.

Het aangegeven trilniveau vertegenwoordigt de voornaamste toepassingen van het elektrische gereedschap. Als het elektrische gereedschap echter voor andere toepassingen met afwijkend inzetstuk of onvoldoende onderhoud gebruikt wordt, kan het trilniveau afwijken. Dit kan de belasting door trillingen tijdens de gehele arbeidsperiode aanzienlijk doen toenemen. Voor een nauwkeurige taxatie van de belasting door trillingen dient er ook rekening gehouden te worden met de perioden, tijdens dewelke het apparaat uitgeschakeld is of weliswaar in werking is, maar niet effectief gebruikt wordt. Dit kan de belasting door trillingen tijdens de gehele arbeidsperiode aanzienlijk doen afnemen.

Leg bijkomende veiligheidsmaatregelen ter bescherming van de bediener vóór de uitwerking van trillingen vast, zoals bijvoorbeeld het onderhoud van elektrisch gereedschap en inzetstukken, het warm houden van de handen, de organisatie van arbeidsprocessen.

## Stofbescherming

Stof van materialen zoals loodhoudende verf, bepaalde houtsoorten, mineralen en metaal kan schadelijk zijn. Contact met of inademing van stof kan tot allergische reacties en/of ademhalingsproblemen leiden van de gebruiker of omstanders.

Bepaalde soorten stof zijn geclassificeerd als kankerverwekkend, zoals eik –en beukstof, voornamelijk in combinatie met toevoegingen voor houtbehandeling (chromaat, houtconserveermiddel). Asbesthoudend materiaal mag uitsluitend door specialisten worden behandeld.

- Wanneer mogelijk moet een apparaat voor stofafzuiging worden gebruikt.

- Gebruik samen met dit apparaat de industriële stofzuiger DSS 25/50 voor hout en/of mineralen om stofverzameling op een hoog niveau te verwezenlijken.
- De werkplaats moet goed geventileerd zijn.
- Wij raden het gebruik aan van een stofmasker of filter van klasse P2.

### Garantie

Op Eibenstock-gereedschap staat garantie overeenkomstig de nationale, wettelijke bepalingen (de faktuur of leveringsbon geldt als garantiebewijs) Defecten, die aan natuurlijke slijtage, overbelasting of onvakkundige behandeling toe te schrijven zijn, zijn van de garantie uitgesloten. Defecten, die door materiaal- of fabricagefouten zijn ontstaan, worden gratis door levering van een nieuw onderdeel of reparatie verholpen. Klachten kunnen alleen ingewilligd worden, als het apparaat, zonder gedemonteerd te zijn geweest, naar de leverancier of naar een Eibenstock-werkplaats gezonden wordt.

### CE Verklaring van Conformiteit

Wij verklaren als alleen verantwoordelijke dat het onder „Technische gegevens” beschreven product voldoet aan de volgende normen en normatieve documenten:

EN 60 745

volgens de bepalingen van de richtlijnen 2011/65/EU, 2004/108/EG, 2006/42/EG

Technisch dossier (2006/42/EG) bij:

Elektrowerkzeuge GmbH Eibenstock  
 Auersbergstraße 10  
 D – 08309 Eibenstock



Lothar Lässig  
 General Manager



Frank Markert  
 Head of Engineering

28.04.2014

## Vigtige sikkerheds instruktioner

Vigtige instruktioner og advarsler er lokaliseret på maskinen ved hjælp af symboler:



**Sikkert arbejde med maskinen er kun muligt, hvis du læser disse brugsanvisninger fuldstændig og nøje følger anvisningerne heri.**



**Arbejd koncentreret, og forsigtigt. Sørg for at holde arbejdspladsen ren, og undgå farlige situationer.**



**Tag de nødvendige forbehold for at beskytte brugeren.**

Under arbejdet bør du bære høreværn, beskyttelsesbriller, støvmaske, beskyttelseshandsker og robust arbejdstøj!



**Anvend høreværn**



**Anvend sikkerhedsbriller**



**Anvend støvmaske**



**Anvend beskyttelseshandsker**

Symboler



**Advarsel om general fare**



**Advarsel om højspænding**



**Advarsel om varm overflade**



**Fare for at blive revet, flået eller klemt**

## Tekniske data

### Betonsliber EBS 125.4 O/ EBS 125.4 RO

	EBS 125.4 O		EBS 125.4 RO	
Motoreffekt: (W):	1500			
Spænding: (V)	110	230	110	230
Netstrøm (A):	14	6	14	6
Frekvens: (Hz):	50-60			
Hastighed: (min <sup>-1</sup> ):	10000		6000-10000	
Slibeskivestørrelse: (mm):	125			
Adapter::	Ø 22,2 mm			
Nettovægt: (kg):	4.9			
Beskyttelsesklasse:	II			
Beskyttelsesgrad:	IP 20			
Støjdæmpet efter:	EN 55014 og 61000			
Bestillingsnr:	06327	06324	0632F	06325

### Tilbehør:

Betegnelse		Bestillingsnr
<b>Diamantslibeskive</b>		
Type	Farve	
Beton standard	Gyldenbrun	37114
Beton premium	Gyldenbrun	37102
Estrich	Gul	37103
Rapid K	Blå	37110
To-delt børstekrans		3722A
Gulvslibestander		37210
Industristøvsuger DSS 25 A		09915
Industristøvsuger DSS 50 A		09916
Industristøvsuger DSS 35 M iP		09917

Øvrige informationer om produkterne, samt tilbehørssortiment, kan findes på: [www.eibenstock.com](http://www.eibenstock.com)

## Leveringsomfang

Betonsliber med diamantslibeskive (Beton), værktøjssæt og betjeningsvejledning i metalkuffert.



## Anvendelse

Betonsliberen er for professionel brug.

Ved brug af den anbefalede Diamantsliberskive er betonsliberen beregnet til at slibe: ru betonflader, til at fjerne forskallingsrester og rester af fliseklæb.

**Brug kun de diamantskiver som er anbefalet af producenten. De har en lav vægt og en høj koncentricitet.**

**Ved brug af andre diamantklinger kan det medfører overbelastning af maskinen, f. eks skader på lejer. Og være til farer for brugeren af maskinen.**

## Sikkerhedsinstruktioner



**Sikkert arbejde med maskinen er kun muligt, hvis du læser disse brugsanvisninger fuldstændig og nøje følger anvisningerne heri.**

**Hertil kommer, at de generelle sikkerheds anvisninger i den vedlagte brochure skal iagttages. Deltag evt. i et praktisk kursus før første brug.**



**Sikkert arbejde med maskinen er kun muligt, hvis du læser disse brugsanvisninger fuldstændig og nøje følger anvisningerne heri.**

**Hertil kommer, at de generelle sikkerheds anvisninger i den vedlagte brochure skal iagttages. Deltag evt. i et praktisk kursus før første brug.**



**Maskinen må ikke blive våd, eller bruges i fugtige omgivelser.**

- Inden De tager maskinen i brug, bør betjeningsvejledningen læses og forstås, og der bør tages hensyn til alle anvisninger.
- Inden maskinen tilsluttes elektricitet, sikres at kabel og tilslutning er i god stand. I modsatte tilfælde udskiftes disse af et autoriseret værksted.
- **VIGTIGT!** Inden maskinen tages i brug kontrolleres at slibeskiven er monteret korrekt.
- Maskinen må ikke udsættes for fugt og må ikke benyttes i fugtige omgivelser.
- Anvend altid maskinen med beskyttelsesskærmen påmonteret. Anvendes kun uden beskyttelsesskærm ved slibning af kanter.
- Anvend kun slibeskiver anbefalet af producenten.
- Forvis dem om, at arbejdsområdet ikke er beskadiget af strøm, gas, vand eller lignende udledninger.
- Sørg for at kablet altid føres bagved maskinen og væk fra arbejdsområdet.
- Hold maskinen fast med begge hænder under arbejdet.

- Vær opmærksom på maskinens reaktionstid.
- Kontroller at maskinen er frakoblet elektricitet inden der arbejdes på maskinen.
- Personer under 16 år bør ikke betjene maskinen.



- **Under brug, skal brugeren og andre personer stående i nærheden bære høreværn, beskyttelsesbriller, sikkerhedshjelm samt beskyttelseshandsker.**
- Pas på at andre personer omkring arbejdspladsen ikke rammes af partikler der flyver rundt..
- Hold håndtagene tørre, rene og fri for olie og fedt.
- **OBS! Skiverne drejer stadig rundt et stykke tid efter at maskinen er slukket.**

For yderligere sikkerhedsforskrifter henvises til vedlagte folder!



### Elektrisk tilslutning

Kontroller først, korrespondancen af spænding og frekvens og sammenligne dem med oplysningerne på Mærkepladen. Spændingsforskelle fra + 6 % til - 10 % er tilladt.

Rille fræseren er produceret i beskyttelsesklasse II.

Brug kun et forlængerkabel med tilstrækkeligt tværsnit. Et tværsnit, som er for lille kan føre til et kraft tab samt overophedning af maskine og kabel

Maskinen er udstyret med langsom opstart, der sikrer at strømnettet ikke afbrydes, hvis ampereniveauet bliver for højt.

### Tænde og slukke

#### Ved kort brug:

Tænd: tænde-/slukkeknappen holdes inde

Sluk: tænde-/slukkeknappen slippes

#### Ved længere brug:

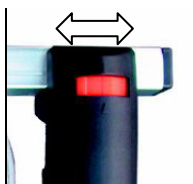
Tænd: tænde-/slukkeknappen trykkes ind og trykkes i fastlåst position

Sluk: tænde-/slukkeknappen trykkes ind og slippes



#### **OBS!**

**Ved hvert stop af maskinen eller en strømafbrydelse, er låsen tilgængelig ved at trykke på tænd-sluk-kontakten til at løse for at forhindre utilsigtet genstart af maskinen (skade).**



Betonsliberen **EHR 125.4 RO** har trinløs regulering. Reguleringen sidder på håndtaget. Position 1 er langsomst og position 7 er hurtigst. Bemærk at ved lav omdrejningshastighed nedkøles maskinen mindre. For at undgå at motoren bliver overophedet kan det være nødvendigt at afkøle maskinen.

### Klinge skift

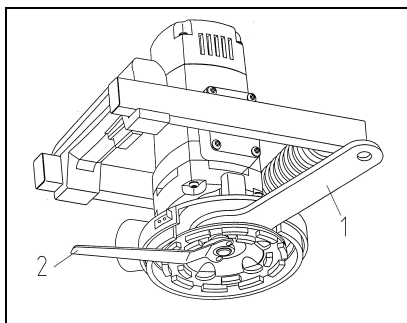
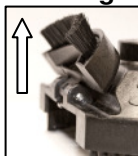


#### Forsigtig.

Diamantslibeskiven kan blive varm under brug. Man kan brænde sig på hænderne eller skære/ridse sig på segmenterne. Brug altid arbejdshandsker ved klinge skift.

Kontroller inden klinge skift at strømstikket er taget fra.

For det første fold-  
Segment dæksler er åbnet.



Nu kan du holde op den drivende skive mellem gearkasse og slibehjul ved hjælp af en kæbe skruenøgle 32 (1). Brug flade nøgle (2) til at skrue den drivende møtrikken. Derefter fjerne den monterede slibeskiven henholdsvis montere den nye. Samlingen virker også den anden vej rundt!

Monteringen foregår i modsatte rækkefølge. Efter monteringen skal maskinen køre i kort tid for at se om den kører fint. Hvis ikke skal man straks afbryde.

Brug kun originalt tilbehør

## Anvendelse af slibeskiverne

Type	Max. Omdr.	Farve	anvendelse
<b>Diamantslibeskive</b>			
Beton	10.000 min <sup>-1</sup>	Gyldenbrun	Bearbejdelse af beton, mursten, kalksten, basalt og sandsten.
Estrich	10.000 min <sup>-1</sup>	Gul	Bearbejdelse af frisk beton, cement, kalkgips, mørtes, gips og bløde kalksten
Rapid K	10.000 min <sup>-1</sup>	Blå	fjernelse af epoxy-og to-komponent coating

## Udskiftning af børsten

Når børsten er slidt ned til ca. 5 mm skal denne udskiftes med en ny.

## Betjeningsvejledning

Det anbefales altid at tilslutte industristøvsuger under arbejdet for at sikre sundhedsmæssig korrekt arbejde.

Det bedste arbejdsresultat opnås hvis der ikke lægges tryk på maskinen under arbejdet.

Ved slibearbejde ved vægkanter er det muligt at fjerne en del af beskyttelsesskærmen. Dette muliggør bearbejdelse af ellers utilgængelige områder.

**VIGTIGT! Ved alle andre former for slibearbejde skal maskinen anvendes med komplet beskyttelsesskærm påmonteret.**

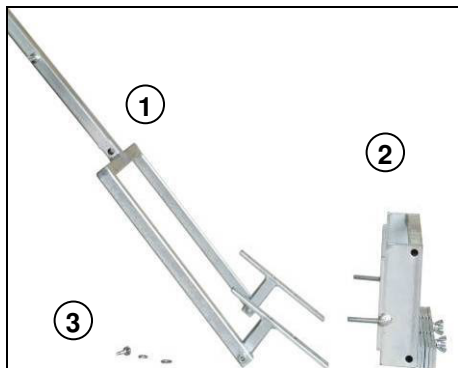
## Funktion og montage af gulvslibestanderen



**OBS!**

**Før der begyndes på vedligeholdelse, skal stikket tages ud!**

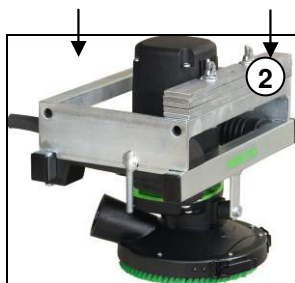
Når der skal bearbejdes større gulvflader, er det muligt at købe en gulvslibestander som tilbehør. Dette medfører en komfortabel håndtering af betonsliberen.



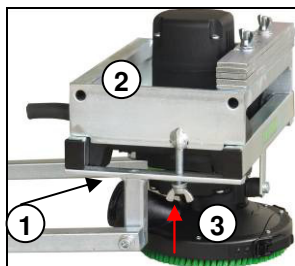
- 1 Stel mit holder
- 2 Ramme med vægte
- 3 Skive, låseskive, vingemøtrik

### Montage

Sluk for betonsliberen.



Sæt rammen med vægtene (2) på maskinen.



Derefter sættes stellet med holderen, under rammen, og denne fastgøres med skive, låseskive og vingemøtrik på rammen.



Vikkel ledningen fra maskinen omkring den monterede holder.

**Kontroller at kontakten på gulvslibestanderen ikke er trykket ind.**

Sæt sikket fra maskinen i stikdåsen på gulvslibestanderen. Før slangen fra støvsugeren op over slibestanderen, og monter den på maskinen. Slangen fastgøres på standeren vha. af den hertil hørende klemme.

### Overbelastningssikring

Betonsliberen er udstyret med en elektronisk overbelastningssikring, for beskyttelse af bruger, maskine samt slibeskive.

**Elektronisk:** I tilfælde af overbelastning på grund af for stor belastning, slå maskinen elektronisk fra. Efter ind og udkobling af maskinen kan der arbejdes videre.

**Termisk:** Ved hjælp af et termoelement på motoren bliver motoren beskyttet mod overbelastning. Maskine slå selv fra og kan først efter afkøling (ca. 2 min) bruges igen. Køletiden er afhængig af opvarmning af motoren og den omgivende temperatur.

### Vedligeholdelse



**Før der begyndes på vedligeholdelse, skal stikket tages**

Reparationer må kun udføres af kvalificerede og erfarne personer. Efter hver reparation, skal maskinen efterses af en el-specialist.

Maskinen er konstrueret, så den kun skal have et minimum af pleje og vedligeholdelse.

Dog skal følgende punkter altid overvåges:

- Hold altid maskinen, og luftudtagene rene for støv.
- Under arbejdet, vær opmærksom på at partikler ikke kommer ind i maskinen.
- Hvis maskinen går i stykker, skal reparationen udføres af et autoriseret værksted.

## Miljøbeskyttelse



### Råstofgenanvendelse i stedet for bortskaffelse af affald

For at undgå skader under transport, skal maskinen leveres i robust transportemballage. Indpakningen samt værktøj og tilbehør er fremstillet af genbrugsmaterialer og kan bortskaffes i overensstemmelse hermed. Værktøjets plastkomponenter er mærket i overensstemmelse med deres materiale, hvilket gør det muligt at fjerne miljøvenlig og differentieret på grund af tilgængelige indsamlingssteder.

#### Kun for EU lande



Elektrisk værktøj må ikke bortskaffes sammen med husholdningsaffald!

Under overholdelse af EU-direktiv 2012/19/EU om affald af elektrisk og elektronisk udstyr og dets gennemførelse i overensstemmelse med national lovgivning, elektriske værktøjer, som har nået til afslutningen af deres levetid skal indsamles særskilt og sendes tilbage til en genbrugsstation.

## Støjniveau / Vibrationer

Støjen fra dette elværktøj bliver målt efter DIN 45 635, del 21. Støjniveauet kan på arbejdspladsen overstige 85dB (A), i dette tilfælde skal brugeren benytte en form for støjbeskyttelse.



#### Bær høreværn!

De typiske hånd-arm vibrationer er under 2.5 m/s<sup>2</sup>.

De målte værdier er fastsat i henhold til EN 60 745.

Vibrationsstørrelse emissionsniveauet i dette oplysningskema er blevet målt i overensstemmelse med et standardiseret test givet i EN 60 745 og kan anvendes til at sammenligne et redskab med en anden. Den kan benyttes til en indledende vurdering af belastningen.

Det erklærede vibrationsniveau repræsenterer de vigtigste anvendelser af værktøjet. Men hvis værktøjet bruges til forskellige formål, med forskelligt tilbehør eller dårligt vedligeholdt, kan vibrationsstørrelserne variere. Dette kan markant øge belastningen i løbet af den samlede arbejdsperiode.

Et skøn over niveauet for udsættelse af vibrationer, bør også tage hensyn til de tidspunkter, hvor værktøjet er slukket, eller når det kører, men ikke

faktisk gør jobbet. Dette kan i væsentlig grad reducere belastningen over den samlede arbejdsperiode.

Yderligere sikkerhedsforanstaltninger for at beskytte operatøren fra virkningerne af vibrationer såsom: vedligeholde værktøj og tilbehør, holde hænderne varme, organisering af arbejdsmønstre.

### **Støvbeskyttelse**

Støv fra materiale så som maling der indeholder bly, nogle træ typer, mineraler og metal kan være skadelige. Kontakt med, eller indånding af dette støv, kan forårsage allergiske reaktioner og/ eller åndedrætssygdomme til brugeren eller tilskuere.

Visse former for støv er klassificeret som kræftfremkaldende, så som ege- og bøgetræstøv især i forbindelse med tilsætningsstoffer til træbehandling (chromat, træbehandlingsmiddel). Materiale, som indeholder asbest, må kun behandles af specialister.

- Hvor brug af støvudsugning er muligt, skal det benyttes.
- For at sikre et højt niveau af støvsamling, brug da industri støvsuger DSS 25/35/50 , for opugning af træ og/eller mineraler sammen med denne maskine.
- Arbejdspladsen skal være godt ventileret.
- Brugen af støvmaskine klasse P2 anbefales.

### **Garanti**

I henhold til vores generelle betingelser for levering til forretninger, er leverandøren nødt til at give kunden en garantiperiode på 12 måneder for mangler (skal dokumenteres ved faktura eller følgeseddel).

Skader som følge af naturlig slitage, overbelastning eller forkert håndtering, er undtaget fra denne garanti.

Skader som følge af materiale fejl eller produktions fejl skal elimineres gratis ved enten reparation eller udskiftning.

Klager vil blive accepteret, hvis værktøjet er leveret i samlet stand til fabrikanten eller et autoriseret Eibenstock servicecenter.



## CE Overensstemmelseserklæring

Vi erklærer under almindeligt ansvar, at det produkt, der er beskrevet under „Tekniske data“, er i overensstemmelse med følgende standarder eller normative dokumenter: EN 60 745

iht. bestemmelserne i direktiverne 2011/65/EU, 2004/108/EG, 2006/42/EG

Teknisk dossier (2006/42/EF) ved:  
Elektrowerkzeuge GmbH Eibenstock  
Auersbergstraße 10  
D – 08309 Eibenstock



Lothar Lässig  
General Manager  
28.04.2014



Frank Markert  
Head of Engineering

## Ważne wskazówki

Ważne pouczenia i ostrzeżenia zostały przedstawione za pomocą symboli na maszynie:



**Przed uruchomieniem maszyny przeczytać dokumentację techniczno-ruchową**



**Pracować w sposób skoncentrowany, aby panować nad maszyną.  
Utrzymywać swoje stanowisko robocze w czystości i unikać niebezpiecznych sytuacji.**



**Przestrzegać przepisów odnośnie ochrony osobistej użytkownika.**

Podczas pracy używać ochronę słuchu, okulary, maskę przeciwpyłową, rękawice ochronne, mocne ubranie robocze.



**Założyć słuchawki**



**Założyć okulary ochronne**



**Użyć maskę przeciwpyłową**



**Założyć rękawice ochronne**

## Znaki ostrzegawcze



**Ostrzeżenie przed ogólnym zagrożeniem**



**Ostrzeżenie przed niebezpiecznym napięciem**



**Ostrzeżenie przed gorącymi częściami maszyny**



**Ryzyko rozdarcia, przecięcia**

## Dane techniczne

### Szlifierka do betonu EBS 125.4 O, EBS 125.4 RO

	EBS 125.4 O		EBS 125.4 RO	
Pobór mocy (W):	1500			
Napięcie znamionowe (V):	110	230	110	230
Prąd znamionowy(A):	14	6	14	6
Częstotliwość (Hz):	50-60			
Znamionowa prędk. obr. (min <sup>-1</sup> ):	10000		6000-10000	
Max. Ø talerza szlifierskiego (mm):	125			
Mocowanie narzędzia:	M 14			
Ciężar (kg):	4,9			
Klasa ochronności:	II			
Współczynnik ochrony:	IP 20			
Eliminacja zakłóceń elektrycznych:	EN 55014 und 61000			
Numer zamówieniowy	06327	06324	0632F	06325

### Dostępne wyposażenie:

Opis		Numer zamówieniowy
<b>Diamentowy talerz szlifierski</b>		
Typ	Kolor	
Beton standard	Złoto-brązowy	37114
Beton premium	Złoto-brązowy	37102
Jastrych	Żółty	37103
Rapid K	Niebieski	37110
2-częściowy wieniec szczotek - część zamienna		3722A
System prowadzenia po podłodze		37212
Odkurzacz przemysłowy DSS 25 A		09915
Odkurzacz przemysłowy DSS 50 A		09916
Odkurzacz przemysłowy DSS 35 M iP		09919

Dalsze informacje odnośnie naszych produktów jak również bogaty asortyment wyposażenia znajdziecie Państwo na: [www.eibenstock.com](http://www.eibenstock.com)

## Zakres dostawy

Szlifierka z talerzem szlifierskim, zestaw narzędzi, dokumentacja techniczno-ruchowa w metalowej walizce.

## Użycie zgodne z przeznaczeniem

Szlifierka jest przeznaczona do profesjonalnego zastosowania. Szlifierka z wyposażeniem odpowiadającym obrabianemu materiałowi służy do wygładzania nierówności na powierzchniach betonowych, usuwania spoin po szalowaniu jak również resztek fug przed ponownym kafelkowaniem. .

**Stosować tylko talerze zalecane przez producenta. Mają one mały ciężar i nie wykazują bicia.**

**Użycie innych talerzy szlifierskich może prowadzić do przeciążenia maszyny, uszkodzenia łożysk i zagrożenia dla użytkownika.**

## Wskazówki bezpieczeństwa



**Bezpieczna praca urządzeniem jest tylko wtedy możliwa, jeśli całkowicie przeczyta się dokumentację techniczno-ruchową i ściśle przestrzega zawartych w niej wskazówek. Dodatkowo muszą być przestrzegane ogólne wskazówki bezpieczeństwa zamieszczone w dodatkowej broszurze. Przed pierwszym uruchomieniem pozwólcie Państwo przeszkolić się praktycznie.**



Jeśli podczas pracy zostanie uszkodzony lub przecięty przewód połączeniowy, nie dotykać go, lecz wyciągnąć wtyczkę z gniazda. Nigdy nie włączać urządzenia z uszkodzonym kablem połączeniowym.



Urządzenie nie może być wilgotne i nie może pracować w wilgotnym otoczeniu.

- Nie pracować w pobliżu łatwo zapalnych lub wybuchowych materiałów.
- Nie wolno obrabiać materiałów zawierających azbest.
- Nie są dozwolone manipulacje na urządzeniu.
- Nie wolno pracować urządzeniem bez zamocowanej osłony ochronnej. Otwarta osłona może być tylko otwarta przy krawędziach ściany.  
**Na płaszczyznach zawsze zamykać osłonę.**
- Przed każdym użyciem, sprawdzić maszynę, kabel i wtyczkę. Zlecić sprawdzenie wykwalifikowanej osobie. Wtyczkę wyciągnąć z gniazda zasilającego tylko po uprzednim wyłączeniu maszyny.
- Przy pracy na zewnątrz zasilać maszynę przez wyłącznik ochronny prądowy max. 30mA.
- Jeśli maszyna wyłączy się w nieoczekiwany sposób np. przy szlifowaniu, przy zaniku napięcia, przy montażu części wyposażenia, wyjąć wtyczkę i sprawdzić czy wyłącznik jest wyłączony.
- Wyłączyć maszynę, jeśli z jakiegokolwiek przyczyny przestanie pracować. Uniknięcie Państwo nagłego rozruchu w nieprzygotowanym stanie.

- Nie używać maszyny, jeśli część obudowy jest uszkodzona lub jeśli dotyczy to również wyłącznika, kabla doprowadzającego i wtyczki.
- Sprawdzić czy podana na narzędziu prędkość obrotowa, jest równa lub większa od prędkości obrotowej maszyny.
- Posługiwanie się i przechowywanie talerzy szlifierskich musi odbywać się dokładnie według wskazówek ich producenta.
- Skontrolować wyposażenie przed użyciem; nie używać części popękanych, połamanych lub w inny sposób uszkodzonych
- Zapewnić, że narzędzie przed pracą będzie prawidłowo założone i zamocowane. Pozwolić na ok. 30 sekundową pracę na biegu jałowym. Natychmiast wyłączyć maszynę, jeśli wystąpią zauważalne drgania lub inne objawy.
- Podczas pracy prowadzić przedłużający kabel sieciowy i wąż odsysający zawsze w kierunku do tyłu maszyny.
- Elektronarzędzia muszą być poddawane kontrolom przez elektryka w regularnych odstępach czasu.
- Nigdy nie przenosić maszyny używając do tego celu kabla.
- Nie dotykać poruszających się części.
- Osobom w wieku poniżej 16 lat nie wolno używać maszyny.



- **Zakładać ochronę słuchu, maskę przeciwpyłową i okulary ochronne**
- Zapewnić, że osoby przebywające w obszarze roboczym nie będą zagrożone lecącymi odłamkami materiału.
- Utrzymywać uchwyty w stanie suchym, czystym, bez oleju i smaru,
- **Podczas pracy zawsze trzymać maszynę dwiema rękami.**
- **Zachować ostrożność! Narzędzie obraca się, po wyłączeniu maszyny.**

**Dalsze wskazówki bezpieczeństwa znajdziecie państwo w załączniku!**



### Przyłączenie elektryczne

Przed uruchomieniem maszyny sprawdzić zgodność napięcia i częstotliwości z danymi na tabliczce znamionowej. Odchylenia napięcia w zakresie od + 6 % do – 10 % są dopuszczalne. Maszyna została wykonana w II klasie ochronności.

Stosować kabel przedłużający tylko o wystarczającym przekroju. Za mały przekrój może prowadzić do nadmiernej utraty mocy, przegrzania kabla i maszyny. Maszyna dysponuje ogranicznikiem prądu rozruchu, który zapobiega niezamierzonemu wyzwoleniu bezpiecznika automatu topikowego bezzwłocznego

## Włączanie-/ Wyłączenie

### Chwilowe włączanie

Włączanie: Wcisnąć włącznik/wyłącznik.

Wyłączenie: Zwolnić włącznik/wyłącznik.

### Trwałe włączanie

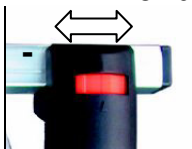
Włączanie: Wcisnąć włącznik/wyłącznik i ustalić wciśnięty stan przyciskiem blokującym.

Wyłączenie: Ponownie wcisnąć włącznik/wyłącznik i ponownie zwolnić.

### Uwaga!



**Przy każdym spowodowanym przez maszynę zatrzymaniu lub w przerwach w dopływie energii elektrycznej natychmiast zwolnić przycisk blokujący przez wciśnięcie włącznika/ wyłącznika, aby zapobiec niezamierzonemu ponownemu rozruchowi maszyny.**



EBS 125.4 RO posiada kółko nastawcze, którym można płynnie regulować prędkość obrotową w zakresie 6000 -10000 min<sup>-1</sup>.

Kółko to znajduje się na górnej stronie uchwytu ręcznego naprzeciwko włącznika/wyłącznika.

Ciągła praca ze zmniejszoną prędkością obrotową prowadzi do przeciążenia, ponieważ silnik ma do dyspozycji mniej powietrza chłodzącego i dlatego wyraźnie przegrzewa się. Może nastąpić termiczne wyłączenie silnika!

## Wymiana narzędzi

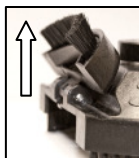


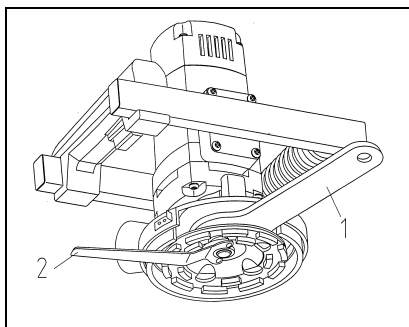
### Zachować ostrożność!

Na skutek użycia talerz szlifierski może stać się gorący. Możecie Państwo poparzyć lub przeciąć sobie ręce. Dlatego przy wymianie narzędzia zawsze używać rękawice ochronne.

**Uwaga!** Przed wszystkimi pracami przy maszynie wyciągnąć wtyczkę sieciową!

Najpierw należy usunąć zdejmowany segment osłony.





Teraz płaskim kluczem (1) SW 32 trzymać tarczę kołnierza między przekładnią a talerzem szlifierskim a kluczem kołkowym (2) poluzować nakrętkę zabierającą. Potem usunąć zamocowany talerz lub wymienić go na nowy. Montaż wykonać w odwrotnej kolejności.

Pozwolić na krótką pracę maszyny w bezpiecznej pozycji. Przy niewłaściwym biegu narzędzia natychmiast przerwać pracę.

**Używać tylko oryginalne części zamienne!**

### Obszar zastosowania talerzy szlifierskich

Typ	Max. znam.- prędk.obr.	Kolor	Zastosowanie
<b>Talerz szlifierski</b>			
<b>Beton</b>	10000 min <sup>-1</sup>	złoto - brązo- wy	Obróbka betonu, cegły, silikatu, bazaltu, piaskowca
<b>Jastrych</b>	10000 min <sup>-1</sup>	gelb	Obróbka świeżego betonu, jastrychu, gipsu wapiennego, zaprawy, tynku, miękkiego silikatu
<b>Rapid K</b>	10000 min <sup>-1</sup>	blau	Usuwanie powłok z żywic epoksydowych i komponentów 2 warstwowych

### Odsysanie pyłu

Pył powstający w czasie pracy maszyny jest szkodliwy dla zdrowia. Dlatego podczas szlifowania stosować odkurzacz i zakładać maskę przeciwpyłową. Dopasowany do szlifierki odkurzacz DSS 25 A / DSS 50 A / DSS 35 M iP jest do nabycia, jako urządzenie dodatkowe. Przewód odkurzacza wtyka się do przewidzianego złącza na głowicy odsysającej.

## Wymiana wieńca szczotek

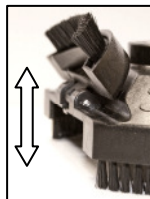
W przypadku zużycia wieńca szczotek do 5 mm (ekstremalne tworzenie się pyłu przy szlifowaniu) musi być całkowicie wymieniony. Wyjąć zużyty wieniec i zastąpić go nowym.

### Wskazówki do pracy

Włączyć maszynę i ostrożnie przyłożyć ją do obrabianej powierzchni. Mocno trzymać maszynę dwiema rękami i pracować wykonując ruchy w sposób liniowy lub promieniowy.

Najlepsze wyniki pracy, dają się osiągnąć, jeśli nie będzie wywierany nadmierny nacisk na obrabiany materiał.

Do wykonania prac z zakresu szlifowania bezpośrednio przy krawędzi ściany, można zdjąć element pokrywy ochronnej zamocowany napinaczem. Umożliwia to obróbkę także w miejscach zazwyczaj niedostępnych.



**Uwaga! Przy wszystkich innych pracach szlifierskich wolno posługiwać się maszyną tylko z kompletną pokrywą ochronną.**

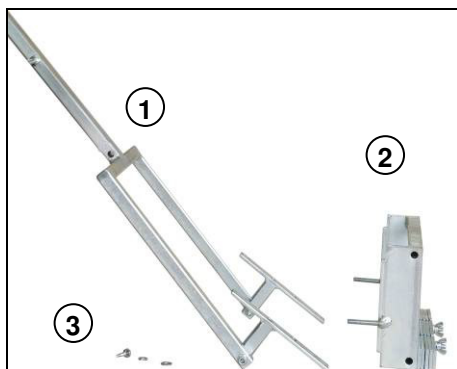
### Funkcje i montaż podłogowej ramy prowadzącej



**Uwaga!**

**Przed wykonywaniem wszelkich prac na maszynie wyjąć wtyczkę sieciową!**

Do obróbki większych powierzchni podłogowych jest do nabycia, jako wyposażenie dodatkowe system podłogowego prowadzenia. Umożliwia on komfortowe posługiwanie się maszyną szlifierską.

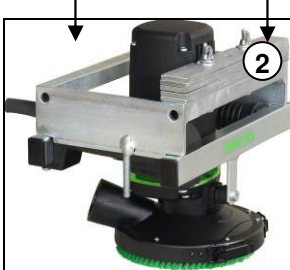


- ① Rama z mocowaniem
- ② Przystawka z obciążnikiem
- ③ Podkładka zwykła, sprężysta, nakrętka motylkowa

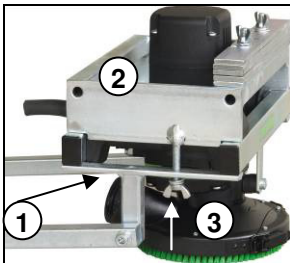


## Montaż

Zablokować włącznik / wyłącznik szlifierki do betonu a przy wersji **EBS 125.4 RO** nastawić prędkość obrotową na maximum.



Należy przystawkę ramową z obciążnikiem (2) na uchwyt ramowy maszyny



Następnie nałożyć korpus z mocowaniem poniżej uchwytu ramy (1) i ustalić to położenie podkładką zwykłą, podkładką sprężystą i śrubą motylkową (3) na ramie przystawki (2)



Nawinąć kabel sieciowy szlifierki na przewidziany w tym celu uchwyt.  
**Zapewnić, aby wyłącznik podłogowego systemu szlifującego był w stanie wyłączonym i niezablokowanym.**  
Wetknąć szlifierkę do gniazda zasilającego systemu szlifującego. Prowadzić wąż odkurzacza ponad podłogowym systemem szlifującym, połączyć go ze szlifierką. Wąż odkurzacza jest zabezpieczony opaską przed ześlizgnięciem się.

### Ochrona przeciążeniowa

Szlifierka do betonu została wyposażony dla ochrony użytkownika, silnika i narzędzia w elektroniczną i termiczną ochronę przeciążeniową.

Elektroniczna: Przy przeciążeniu na skutek za dużego nacisku reaguje elektronika obniżeniem prędkości obrotowej. Po odciążeniu względnie zmniejszeniu nacisku można dalej normalnie pracować.

Jeśli maszyna nie zostanie odciążona lub w dalszym ciągu będzie wywierany duży nacisk, maszyna wyłączy się. Po

unieruchomieniu maszyny, włączyć i wyłączyć wyłącznik, aby móc dalej pracować.

**Termiczna:** Przy długotrwałym obciążeniu, silnik jest chroniony przed zniszczeniem przez termoelement. Maszyna wyłącza się samodzielnie i może być uruchomiona dopiero po odpowiednim schłodzeniu (około 2 minuty). Użyć włącznik / wyłącznik! Czas schłodzenia zależy od nagrzania uzwojenia silnika i temperatury otoczenia.

## Dogład i konserwacja



**Przed rozpoczęciem konserwacji lub naprawy obowiązkowo wyjąć wtyczkę z gniazda sieciowego!**

Naprawy wolno wykonywać tylko wykwalifikowanemu ze względu na wykształcenie, odpowiedniemu, doświadczonemu personelowi.

Po każdej naprawie silnik jest sprawdzany przez elektryka.

Elektronarzędzie jest tak skonstruowane, że wymagane jest minimum doglądu i konserwacji. Jednak należy przestrzegać następujące punkty:

- Szlifierka i rowki chłodzące muszą być stale czyste i otwarte.
- Podczas pracy uważać, aby do wnętrza maszyny nie przedostały się żadne ciała obce.
- W przypadku awarii urządzenia, zlecić naprawę w autoryzowanym warsztacie.

## Ochrona środowiska



**Odzysk surowców zamiast wyrzucania do śmieci.**

Dla wykluczenia szkód transportowych maszynę dostarcza się w stabilnym opakowaniu. Opakowanie jak i maszyna z wyposażeniem zostały wykonane z łatwych do recyklingu materiałów i należy je odpowiednio utylizować. Części maszyny wykonane z tworzywa są oznaczone, przez co można je po sortowaniu, poddać przyjaznemu dla środowiska recyklingowi, przekazując do odpowiednich miejsc zbiórki surowców.

### Tylko dla krajów EU



Nie wyrzucać narzędzi elektrycznych do domowych śmietników! Zgodnie z europejską dyrektywą 2012/19/EU o starych urządzeniach elektrycznych / elektronicznych i odpowiednich przepisach prawnych w kraju użytkownika sprzętu, należy zużyty sprzęt zbierać, segregując go i przekazać do ponownego przekształcenia i użycia w sposób przyjazny dla środowiska

## Hałas i wibracje

Hałas tego elektronarzędzia został pomierzony według DIN 45 635, Część 21. Poziom hałasu na stanowisku pracy może przekroczyć 85 dB (A); w takim przypadku niezbędne jest podjęcie środków ochrony użytkownika względem ochrony słuchu.



### Używać ochronę słuchu!

Wibracja na rękach/ramionach jest zazwyczaj niższa jak  $2.5\text{m/s}^2$   
Wartość pomiaru określa odpowiednio EN 60745.

Podany w tych informacjach poziom drgań reprezentuje główne rodzaje zastosowań elektronarzędzia. Jeśli jednakże silnik zostanie użyty do innych celów z odmiennymi narzędziami lub będzie niedostatecznie konserwowany, poziom drgań może odbiegać od podanego. Może to znacznie podnieść poziom wibracji w ciągu całkowitego czasu roboczego. Dla dokładnego określenia obciążenia drganiami, powinno się uwzględnić czasy, w których urządzenie jest wyłączone lub pracuje, lecz faktycznie nie jest obciążone. Wyliczenia takie mogą wyraźnie zredukować obciążenie drganiami w ciągu całego czasu pracy urządzenia.

Ustalić dodatkowe postępowanie zmierzające do ochrony użytkownika przed drganiami jak na przykład: konserwacja elektronarzędzia, ogrzewanie rąk, organizacja przebiegu pracy.

## Ochrona przed pyłem

Pyły z obrabianych materiałów jak powłoki zawierające ołów, różne rodzaje drewna, minerały i metale mogą szkodliwie wpływać na zdrowie. Dotykание lub wdychanie pyłów może wywoływać alergiczne reakcje i/lub choroby dróg oddechowych użytkownika i osób znajdujących się w pobliżu.

Określone pyły jak pył z dębu lub buka mogą powodować raka a szczególnie w połączeniu z dodatkowymi produktami stosowanymi do drewna (chromat, środki ochronne drewna). Materiały zawierające azbest wolno obrabiać tylko wykwalifikowanym osobom.

- Jeśli to możliwe najlepiej stosować odsysanie pyłu.
- Dla zapewnienia wysokiego stopnia odsysania pyłu stosować ze szlifierką odkurzacz przemysłowy DSS 25/35/50 dla drewna i/lub pyłu mineralnego.
- Zapewnić dobre napowietrzenie stanowiska pracy.
- Jest zalecane, użycie maski przeciwpyłowej z klasą filtru P2.

## Gwarancja

Odpowiednio do naszych ogólnych warunków dostawy obowiązuje w obrocie handlowym odnośnie przedsiębiorstw, termin gwarancji na fizyczne wady w czasie 12 miesięcy (za okazaniem faktury i listu przewozowego).

Uszkodzenia, które powstały na skutek naturalnego zużycia, przeciążenia lub niezgodnego z przeznaczeniem użycia są wykluczone z reklamacji.

Uszkodzenia, które są brakiem materiałowym lub błędem producenta, zostaną usunięte przez naprawę lub zastępczą dostawę.

Roszczenia klienta mogą być uznane, jeśli urządzenie w stanie nierozłożonym dotarło do dostawcy lub autoryzowanego warsztatu Eibenstock.

## CE Deklaracja zgodności

Oświadczamy z pełną odpowiedzialnością, że produkt, przedstawiony w „Dane techniczne“, odpowiada wymaganiom następujących norm i dokumentów normatywnych:

EN 60 745

zgodnie z wymaganiami dyrektyw 2011/65/EU, 2004/108/EG, 2006/42/EG

Dokumentacja techniczna (2006/42/EG):

Elektrowerkzeuge GmbH Eibenstock

Auersbergstraße 10

D – 08309 Eibenstock



Lothar Lässig  
General Manager



Frank Markert  
Head of Engineering

28.04.2014







Fachhändler  
Your distributor  
Votre marchand spécialisé  
Uw distributeur  
Din forhandler  
Wasz sprzedawca

Elektrowerkzeuge GmbH Eibenstock  
Auersbergstraße 10  
D – 08309 Eibenstock  
[www.eibenstock.com](http://www.eibenstock.com)